



Product Description

MASTER MHN-FC

Compact quartz metal halide lamps with double pinch

Benefits

- Allows compact luminaire systems with precision optics for minimal light spill
- Good color rendering creates a pleasant ambience with high visual comfort for players and spectators
- Continuous spectral distribution offers options for semi-professional stadiums and professional stadiums with regular TV coverage

Features

- Double-pinch concept results in long lifetime
- Choice of 1000W and 2000W types
- Natural white color appearance
- Compact light source allows small luminaire design

Application

- Recreational sports and area floodlighting

Warnings and Safety

- Use only in totally enclosed luminaire, even during testing (IEC61167, IEC 62035, IEC60598)
- The luminaire must be able to contain hot lamp parts if the lamp ruptures
- A lamp breaking is extremely unlikely to have any impact on your health. If a lamp breaks, ventilate the room for 30 minutes and remove the parts, preferably with gloves. Put them in a sealed plastic bag and take it to your local waste facilities for recycling. Do not use a vacuum cleaner.

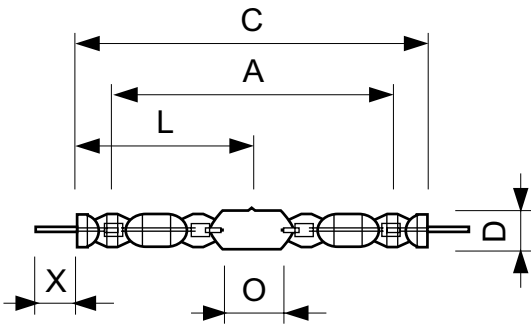
MASTER MHN-FC

Versions



MHN-FC, 1000W

Dimensional drawing



Product	D (max)	D	O	X	L	A	C (max)
MASTER MHN-FC 1000W/740 230V XW	33 mm	25.5 mm	42.5 mm	58 mm	144 mm	226 mm	290 mm

