



# Maxos LED

## 4MX850 491 LED66S/840 PSD NB WH

Maxos Led Industry - 1 unit for TL5 49 W - LED Module, system flux 6600 lm - 840 neutral white - Power supply unit with DALI interface - Narrow beam - White

Customers in the industrial and retail sectors are looking for general lighting solutions with a justifiable payback, while meeting all relevant norms for supermarkets and industry applications. For a limited investment, Maxos LED Industry offers best-in-class energy savings while delivering high lux levels at the required color temperatures and glare factors. The minimalistic Maxos LED Industry system comprises exchangeable mid-power LED boards mounted on a standard Maxos trunking rail. A choice of wide and medium-beam lenses means flexibility in light distribution. Compared with a conventional fluorescent installation, this highly efficient LED solution offers full payback in less than three years. And the benefits keep coming: the use of our upgradable LED engine platform makes Maxos LED Industry a truly future-proof solution.

### Product data

General Information			
Number of light sources	1 [ 1 pc]	Optic type	NB [ Narrow beam]
Lamp family code	LED66S [ LED Module, system flux 6600 lm]	Optical cover/lens type	PM [ PMMA bowl/cover]
Beam angle of light source	120 °	Luminaire light beam spread	50°
Light source color	840 neutral white	Control interface	DALI
Cap-Base	- [ -]	Connection	CU5 [ Connection unit 5-pole]
Light source replaceable	No	Cable	-
Number of gear units	1 unit	Protection class IEC	Safety class I (I)
Gear	-	Glow-wire test	650/30 [ Temperature 650 °C, duration 30 s]
Driver/power unit/transformer	PSD [ Power supply unit with DALI interface]	Flammability mark	NO [ -]
Driver included	Yes	CE mark	CE mark
		ENEC mark	ENEC mark

# Maxos LED

UL mark	-
Warranty period	5 years
Remarks	*-Per Lighting Europe guidance paper "Evaluating performance of LED based luminaires - January 2018": statistically there is no relevant difference in lumen maintenance between B50 and for example B10. Therefore, the median useful life (B50) value also represents the B10 value.
Constant light output	No
Number of products on MCB of 16 A type B	24
EU RoHS compliant	Yes
Service tag	Yes
Product family code	4MX850 [ Maxos Led Industry]
Unified glare rating CEN	Not applicable

## Operating and Electrical

Input Voltage	220-240 V
Input Frequency	50 to 60 Hz
Control signal voltage	0-16 V DC DALI
Inrush current	21 A
Inrush time	0.280 ms
Power Factor (Min)	0.9

## Controls and Dimming

Dimmable	Yes
----------	-----

## Mechanical and Housing

Trunking length	491 [ 1 unit for TL5 49 W]
Housing Material	Steel
Reflector material	-
Optic material	Polymethyl methacrylate
Optical cover/lens material	Polymethyl methacrylate
Fixation material	Steel
Optical cover/lens finish	Clear
Overall length	1478 mm
Overall width	63 mm
Overall height	50 mm
Color	White

Dimensions (Height x Width x Depth)	50 x 63 x 1478 mm (2 x 2.5 x 58.2 in)
-------------------------------------	---------------------------------------

## Approval and Application

Ingress protection code	IP20 [ Finger-protected]
Mech. impact protection code	IK02 [ 0.2 J standard]

## Initial Performance (IEC Compliant)

Initial luminous flux (system flux)	6600 lm
Luminous flux tolerance	+/-10%
Initial LED luminaire efficacy	161 lm/W
Init. Corr. Color Temperature	4000 K
Init. Color Rendering Index	≥80
Initial chromaticity	(0.38, 0.38) SDCM <3.5
Initial input power	41 W
Power consumption tolerance	+/-10%

## Over Time Performance (IEC Compliant)

Control gear failure rate at median useful life 50000 h	5 %
Lumen maintenance at median useful life* 50000 h	L80

## Application Conditions

Ambient temperature range	-20 to +35 °C
Performance ambient temperature Tq	25 °C
Maximum dim level	1%
Suitable for random switching	Not applicable

## Product Data

Full product code	403073266603499
Order product name	4MX850 491 LED66S/840 PSD NB WH
EAN/UPC - Product	4030732666034
Order code	66603499
Numerator - Quantity Per Pack	1
Numerator - Packs per outer box	3
Material Nr. (12NC)	910629158226
Net Weight (Piece)	1.765 kg

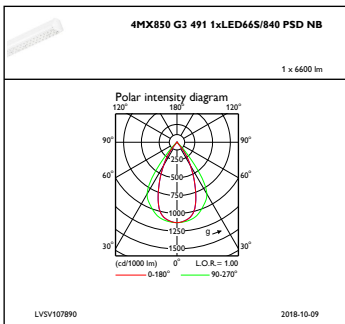


Dimensional drawing

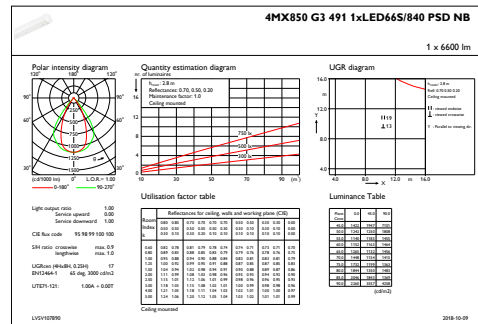
782

Maxos LED electr. units 4MX850-883

Photometric data



IFPC1\_4MX850G34911xLED66S840PSDNB



IFGU1\_4MX850G34911xLED66S840PSDNB

