



ClearWay gen2

BGP307 LED99/740 II DM 48/60S

ClearWay gen2 - LED module 9900 lm - 740 neutral white - Safety class II (II) - Distribution medium - Universal for diameter 48-60 mm adjustable

ClearWay Gen2 enables you to enjoy the benefits of LED technology for urban lighting right from the start. This new second generation of the luminaire builds on the strengths of its predecessor and is designed to further minimize your Total Cost of Ownership. ClearWay Gen2 significantly improves the most important aspects of the street lighting experience compared to conventional urban lighting. Ideal for new streets and for renovating existing installations, this affordable range of urban ClearWay lighting solutions combines clean design, high-quality light with significant energy and maintenance savings. In short, ClearWay Gen2 means good quality light with all the added benefits of LED - energy savings and long lifetime. Offering more benefits, yet packaged in a thinner and lighter design, which makes it easier to install.

Product data

General information		Connection	Push-in connector 5-pole (PI)
Lamp family code	LED99 [LED module 9900 lm]	Cable	-
Light source color	740 neutral white	Protection class IEC	Safety class II (II)
Light source replaceable	Yes	Flammability mark	NO [-]
Number of gear units	1 unit	CE mark	Yes
Driver/power unit/transformer	PSU [Power supply unit]	ENEC mark	ENEC mark
Driver included	Yes	Warranty period	5 years
Optic type	No [-]	Optic type outdoor	Distribution medium
Optical cover/lens type	FG [Flat glass]	Remarks	*-Per Lighting Europe guidance paper "Evaluating performance of LED based luminaires - January 2018": statistically there
Luminaire light beam spread	42° x 44°		
Control interface	-		

ClearWay gen2

	is no relevant difference in lumen maintenance between B50 and for example B10. Therefore, the median useful life (B50) value also represents the B10 value. * At extreme ambient temperatures the luminaire might automatically dim down to protect components
Constant light output	No
Number of products on MCB of 16 A type B	11
Photobiological risk	Photobiological risk group 1 @ 200mm to EN62471
Photobiological risk specification	3.1 m
EU RoHS compliant	Yes
Light source engine type	LED
Product family code	BGP307 [ClearWay gen2]

Light technical

Upward light output ratio	0
Standard tilt angle posttop	0°
Standard tilt angle side entry	0°

Operating and electrical

Input Voltage	220 to 240 V
Input Frequency	50 to 60 Hz
Initial CLO power consumption	- W
Average CLO power consumption	- W
End CLO power consumption	- W
Inrush current	46 A
Inrush time	0.25 ms
Power Factor (Min)	0.98

Controls and dimming

Dimmable	No
----------	----

Mechanical and housing

Housing Material	Aluminum die-cast
Reflector material	-
Optic material	Polymethyl methacrylate
Optical cover/lens material	Tempered glass
Fixation material	Aluminum
Mounting device	48/60A [Universal for diameter 48-60 mm adjustable]
Optical cover/lens shape	Flat
Optical cover/lens finish	Clear
Overall length	480 mm
Overall width	325 mm
Overall height	150 mm

Effective projected area	0.1151 m ²
Color	Gray
Dimensions (Height x Width x Depth)	150 x 325 x 480 mm

Approval and application

Ingress protection code	IP66 [Dust penetration-protected, jet-proof]
Mech. impact protection code	IK09 [10 J]
Surge Protection (Common/Differential)	Luminaire surge protection level until 6 kV differential mode and 8 kV common mode
Sustainability rating	-

Initial performance (IEC compliant)

Initial luminous flux (system flux)	8600 lm
Luminous flux tolerance	+/-7%
Initial LED luminaire efficacy	119 lm/W
Init. Corr. Color Temperature	4000 K
Init. Color Rendering Index	70
Initial chromaticity	(0.38, 0.38) SDCM <5
Initial input power	72 W
Power consumption tolerance	+/-10%
Init. Color Rendering Index Tolerance	+/-2

Over time performance (IEC compliant)

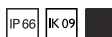
Driver failure rate at 5000 h	0.5 %
Control gear failure rate at median useful life 100000 h	10 %
Lumen maintenance at median useful life* 100000 h	L96

Application conditions

Ambient temperature range	-40 to +50 °C
Performance ambient temperature Tq	25 °C
Maximum dim level	Not applicable

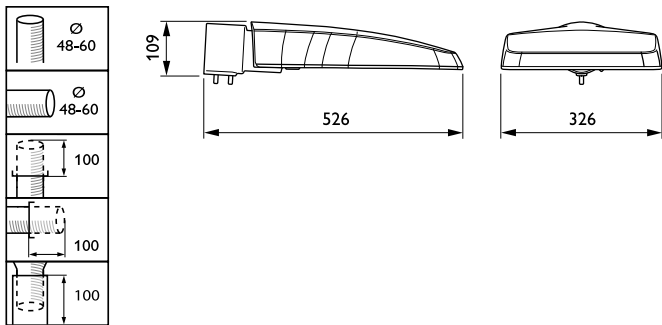
Product data

Full product code	871869698792600
Order product name	BGP307 LED99/740 II DM 48/60S
EAN/UPC - Product	8718696987926
Order code	98792600
Numerator - Quantity Per Pack	1
Numerator - Packs per outer box	1
Material Nr. (12NC)	910925864580
Net Weight (Piece)	5.890 kg



ClearWay gen2

Dimensional drawing



BGP307 LED99/740 II DM 48/60S

