



CoreLine Recessed

RC134Z CFRM-PLC WH W30L120

Coreline Recessed Acc. - Ceiling frame for recessed mounting for plaster ceiling - Width 300 mm, length 1200 mm

Whether for a new building or renovation of an existing space, customers want lighting solutions that provide quality of light and substantial energy and maintenance savings. The new CoreLine Recessed range of LED products can be used to replace functional luminaires in general lighting applications. The process of selecting, installing and maintaining is so easy – it's a simple switch.

Warnings and Safety

- The product is IPX0 & as such is not protected against water ingress & as such we strongly recommend that The environment in which The luminaire is to be installed is suitably checked
- If the above advice is not taken and the luminaires are subject to water ingress, Philips / Signify cannot guarantee safe failure & product warranty will become void

Product data

| General Information | | Operating and Electrical | |
|------------------------------|---|-------------------------------------|---|
| Protection class IEC | - | Input Voltage | - V |
| Type description | Width 300 mm, length 1200 mm | Input Frequency | - Hz |
| CE mark | CE mark | Mechanical and Housing | |
| Material | Steel | Overall length | 1230 mm |
| Ceiling mounting accessories | Ceiling frame for recessed mounting for plaster ceiling | Overall width | 330 mm |
| Angle | - | Overall height | 61 mm |
| Accessory color | White | Dimensions (Height x Width x Depth) | 61 x 330 x 1230 mm (2.4 x 13 x 48.4 in) |
| Service tag | Yes | | |
| Product family code | RC134Z [Coreline Recessed Acc.] | | |

CoreLine Recessed

Approval and Application

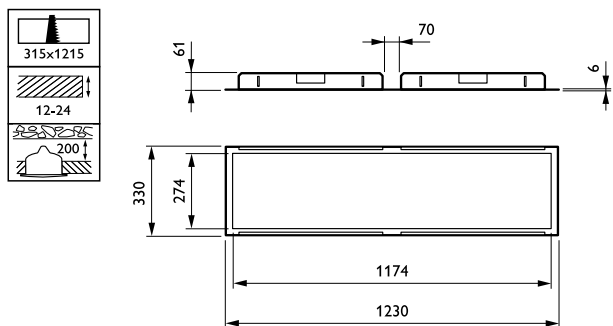
Ingress protection code - [-]

Product Data

Full product code 871869698724700
Order product name RC134Z CFRM-PLC WH W30L120
EAN/UPC - Product 8718696987247

Order code 98724700
Numerator - Quantity Per Pack 1
Numerator - Packs per outer box 1
Material Nr. (12NC) 910925864623
Net Weight (Piece) 2.100 kg

Dimensional drawing



CoreLine Recessed acc. RC134Z/RC135Z

