



LumiStreet gen2

BGP292 LED27-4S/740 II DN10 SW302F CLO D

LUMISTREET GEN2 MINI - LED module 2700 lm - 740 neutral white - Safety class II (II) - Distribution narrow 10 - Side-entry for diameter 76 mm

Increasing numbers of municipalities are having to upgrade large-scale conventional street lighting installations with energy efficient LED technology. But they are having to do this with smaller and smaller budgets. That's why the new generation of LumiStreet has been upgraded and designed to provide a solution to this challenge, it is the ideal solution for performing point-to-point replacement of conventional lighting. LumiStreet gen2 achieves this by offering high efficiency, low Total Cost of Ownership, and ease of installation and maintenance. The ease of installation and maintenance is enabled by the Philips Service tag. Moreover, the Philips SR (System Ready) socket makes it future-ready and you can pair this luminaire with lighting control and software applications such as Interact City.

Product data

General information			
Lamp family code	LED27 [LED module 2700 lm]	Cable	-
Light source color	740 neutral white	Protection class IEC	Safety class II (II)
Light source replaceable	Yes	Flammability mark	F [For mounting on normally flammable surfaces]
Number of gear units	1 unit	CE mark	CE mark
Driver/power unit/transformer	PSR-CLO [Power supply unit regulating with constant light output]	ENEC mark	ENEC plus mark
Driver included	Yes	Warranty period	5 years
Optical cover/lens type	FG [Flat glass]	Optic type outdoor	Distribution narrow 10
Luminaire light beam spread	68° x 158°	Remarks	* At extreme ambient temperatures the luminaire might automatically dim down to protect components
Control interface	-	Constant light output	Yes
Connection	2 Push-in connector 5-pole		

LumiStreet gen2

Number of products on MCB of 16 A type B	26
EU RoHS compliant	Yes
Light source engine type	LED
Service tag	Yes
Serviceability class	Class A, luminaire is equipped with serviceable parts (when applicable): LED board, driver, control units, surge protection device, optics, front cover and mechanical parts
Product family code	BGP292 [LUMISTREET GEN2 MINI]

Light technical

Upward light output ratio	0
Standard tilt angle posttop	0°
Standard tilt angle side entry	0°

Operating and electrical

Input Voltage	220 to 240 V
Input Frequency	50 to 60 Hz
Initial CLO power consumption	16.6 W
Average CLO power consumption	16.8 W
End CLO power consumption	17 W
Inrush current	21 A
Inrush time	0.225 ms
Power Factor (Min)	0.94

Controls and dimming

Dimmable	Yes
----------	-----

Mechanical and housing

Housing Material	Aluminum die-cast
Reflector material	Polycarbonate
Optic material	Polymethyl methacrylate
Optical cover/lens material	Glass
Fixation material	Aluminum
Mounting device	76S [Side-entry for diameter 76 mm]
Optical cover/lens shape	Flat
Optical cover/lens finish	Clear
Overall length	620 mm
Overall width	234 mm
Overall height	95 mm
Effective projected area	0.0251 m ²
Color	Gray

Dimensions (Height x Width x Depth)	95 x 234 x 620 mm (3.7 x 9.2 x 24.4 in)
-------------------------------------	---

Approval and application

Ingress protection code	IP66 [Dust penetration-protected, jet-proof]
Mech. impact protection code	IK08 [5 J vandal-protected]
Surge Protection (Common/Differential)	Luminaire surge protection level until 6 kV differential mode and 8 kV common mode

Initial performance (IEC compliant)

Initial luminous flux (system flux)	2430 lm
Luminous flux tolerance	+/-7%
Initial LED luminaire efficacy	146 lm/W
Init. Corr. Color Temperature	4000 K
Init. Color Rendering Index	70
Initial chromaticity	(0.381, 0.379) SDCM <5
Initial input power	16.6 W
Power consumption tolerance	+/-10%
Init. Color Rendering Index Tolerance	+/-2

Over time performance (IEC compliant)

Control gear failure rate at median useful life 100000 h	10 %
Lumen maintenance at median useful life* 100000 h	L100

Application conditions

Ambient temperature range	-40 to +50 °C
Performance ambient temperature Tq	25 °C
Maximum dim level	0% (digital)

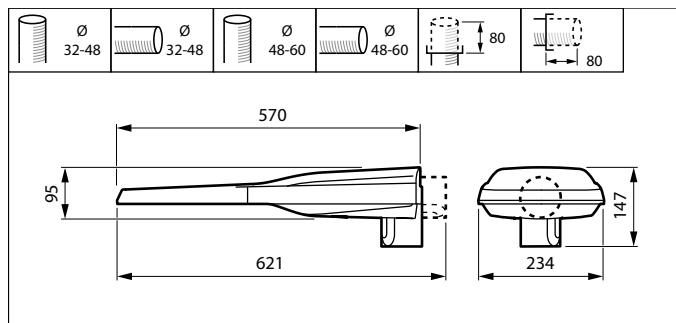
Product data

Full product code	871951407965600
Order product name	BGP292 LED27-4S/740 II DN10 SW302F CLO D
EAN/UPC - Product	8719514079656
Order code	07965600
Numerator - Quantity Per Pack	1
Numerator - Packs per outer box	1
Material Nr. (12NC)	910925866699
Net Weight (Piece)	7.260 kg



LumiStreet gen2

Dimensional drawing



BGP292 LED27-4S/740 II DN10 SW302F CLO D

