



LumiStreet gen2

BGP292 LED99-4S/740 II DX10 7024 D9 48/6

LumiStreet gen2 Mini - LED module 9900 lm - 740 neutral white - Safety class II (II) - Distribution extra wide 10 - Side-entry for diameter 48-60 mm

Increasing numbers of municipalities are having to upgrade large-scale conventional street lighting installations with energy efficient LED technology. But they are having to do this with smaller and smaller budgets. That's why the new generation of LumiStreet has been upgraded and designed to provide a solution to this challenge, it is the ideal solution for performing point-to-point replacement of conventional lighting. LumiStreet gen2 achieves this by offering high efficiency, low Total Cost of Ownership, and ease of installation and maintenance. The ease of installation and maintenance is enabled by the Philips Service tag. Moreover, the Philips SR (System Ready) socket makes it future-ready and you can pair this luminaire with lighting control and software applications such as Interact City.

Product data

General information		Protection class IEC	Safety class II (II)
Lamp family code	LED99 [LED module 9900 lm]	Flammability mark	F [For mounting on normally flammable surfaces]
Light source color	740 neutral white	CE mark	Yes
Light source replaceable	Yes	ENEC mark	ENEC plus mark
Number of gear units	1 unit	Warranty period	5 years
Driver/power unit/transformer	PSD [Power supply unit with DALI interface]	Optic type outdoor	Distribution extra wide 10
Driver included	Yes	Remarks	* At extreme ambient temperatures the luminaire might automatically dim down to protect components
Optical cover/lens type	FG [Flat glass]	Constant light output	No
Luminaire light beam spread	150° - 43° x 67°		
Control interface	DALI		
Connection	2 Push-in connector 5-pole		
Cable	-		

LumiStreet gen2

Number of products on MCB of 16 A type B	10
EU RoHS compliant	Yes
Light source engine type	LED
Service tag	Yes
Serviceability class	Class A, luminaire is equipped with serviceable parts (when applicable): LED board, driver, control units, surge protection device, optics, front cover and mechanical parts
Product family code	BGP292 [LumiStreet gen2 Mini]

Light technical

Upward light output ratio	0
Standard tilt angle posttop	0°
Standard tilt angle side entry	0°

Operating and electrical

Input Voltage	220 to 240 V
Input Frequency	50 to 60 Hz
Inrush current	47 A
Inrush time	0.25 ms
Power Factor (Min)	0.99

Controls and dimming

Dimmable	Yes
----------	-----

Mechanical and housing

Housing Material	Aluminum die-cast
Reflector material	Polycarbonate
Optic material	Polymethyl methacrylate
Optical cover/lens material	Glass
Fixation material	Aluminum
Mounting device	48/60S [Side-entry for diameter 48-60 mm]
Optical cover/lens shape	Flat
Optical cover/lens finish	Clear
Overall length	620 mm
Overall width	234 mm
Overall height	95 mm
Effective projected area	0.0251 m ²
Color	Gray
Dimensions (Height x Width x Depth)	95 x 234 x 620 mm

Approval and application

Ingress protection code	IP66 [Dust penetration-protected, jet-proof]
Mech. impact protection code	IK08 [5 J vandal-protected]
Surge Protection (Common/Differential)	Luminaire surge protection level until 6 kV differential mode and 8 kV common mode
Sustainability rating	-

Initial performance (IEC compliant)

Initial luminous flux (system flux)	8300 lm
Luminous flux tolerance	+/-7%
Initial LED luminaire efficacy	134 lm/W
Init. Corr. Color Temperature	4000 K
Init. Color Rendering Index	70
Initial chromaticity	(0.381, 0.379) SDCM <5
Initial input power	62 W
Power consumption tolerance	+/-10%
Init. Color Rendering Index Tolerance	+/-2

Over time performance (IEC compliant)

Driver failure rate at 5000 h	0.5 %
Control gear failure rate at median useful life 100000 h	10 %
Lumen maintenance at median useful life* 100000 h	L96

Application conditions

Ambient temperature range	-40 to +50 °C
Performance ambient temperature Tq	25 °C
Maximum dim level	0% (digital)

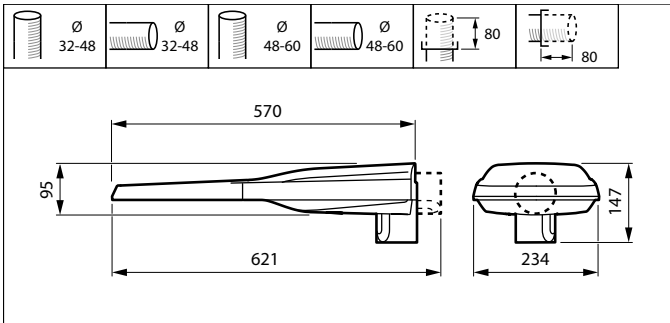
Product data

Full product code	871951407967000
Order product name	BGP292 LED99-4S/740 II DX10 7024 D9 48/6
EAN/UPC - Product	8719514079670
Order code	07967000
Numerator - Quantity Per Pack	1
Numerator - Packs per outer box	1
Material Nr. (12NC)	910925866702
Net Weight (Piece)	5.100 kg



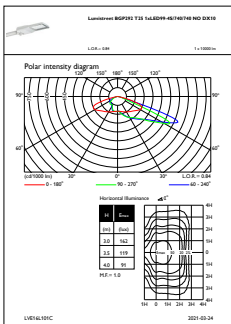
LumiStreet gen2

Dimensional drawing

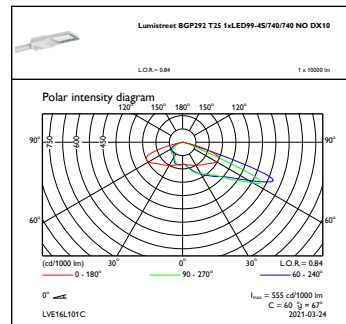


BGP292 LED99-4S/740 II DX10 7024 D9 48/6

Photometric data



OFPL1_



OFPC1_

