



CoreLine Trunking Gen2

LL200Z MB-SW WH (2PCS)

Coreline Trunking Gen2 - - - - - White

CoreLine Trunking Gen2 is a light-line system that is designed for simplicity. It comes in a choice of lengths, flux packages and beam shapes to suit every project and application. Easy to use and integrate with spots and sensors, CoreLine Trunking Gen2 provides consistent, high-quality lighting with added protection against accidental water ingress. The innovative system is also easy to assemble and install for faster retrofits and refurbishments.

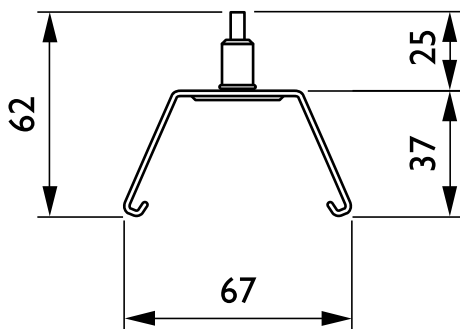
Product data

General information	
Protection class IEC	-
CE mark	-
Material	Steel
Angle	-
Accessory color	White
Product family code	LL200Z [Coreline Trunking Gen2]
Operating and electrical	
Input Voltage	- V
Input Frequency	- Hz
Mechanical and housing	
Overall length	40 mm
Overall width	67 mm
Overall height	62 mm

Dimensions (Height x Width x Depth)	62 x 67 x 40 mm
Approval and application	
Ingress protection code	- [-]
Mech. impact protection code	-
Product data	
Full product code	871951418854999
Order product name	LL200Z MB-SW WH (2PCS)
EAN/UPC - Product	8719514188549
Order code	18854999
Numerator - Quantity Per Pack	1
Numerator - Packs per outer box	6
Material Nr. (12NC)	910925867566
Net Weight (Piece)	0.198 kg

CoreLine Trunking Gen2

Dimensional drawing



LL200Z MB-SW WH (2PCS)

