



# TownTune Asymmetric

## BDP265 LED120-4S/740 DN10 CLO SRT SRB 76

TOWNTUNE ASYMMETRIC - LED module 12000 lm - LED - 740 neutral white - Power supply unit with DALI and SystemReady interface - 220 to 240 V - 50 or 60 Hz - Safety class I (I) - Distribution narrow 10 - Polycarbonate bowl/cover UV-resistant - Dark gray - Philips standard surge protection level kV - - - Post-top for diameter 76 mm adjustable

As a luminaire family prepared for existing and scalable urban spaces, TownTune offers all the recent lighting innovations in terms of performance, quality of light and connectivity. The Philips TownTune family consists of three members: a central post top, an asymmetric spigot version and a version using an extending lyre post top bracket. Each of these three can be customized with a choice of different shapes for housing and an optional of decorative ring which comes in two colors. By having these options available you can create your very own lighting signature and give distinctive identity to districts and cities. The luminaire family is also equipped with the QR code-based Philips Service tag, which supports installation and maintenance work and enables you to create your digital library of lighting assets and spare parts. TownTune also makes use of the Philips Ledgine optimized lighting platform ensuring that you always have the right amount and direction of light on your street. Furthermore, thanks to being SR (System Ready), TownTune is also future-proof and is ready to be paired with both standalone and advanced control and lighting software applications such as Interact City.

### Product data

# TownTune Asymmetric

General Information	
Lamp family code	LED120 [ LED module 12000 lm]
Light source color	740 neutral white
Light source replaceable	Yes
Number of gear units	1 unit
Driver/power unit/transformer	Power supply unit with DALI and SystemReady interface
Driver included	Yes
Optical cover/lens type	PC-UV [ Polycarbonate bowl/cover UV-resistant]
Luminaire light beam spread	12° - 59° x 158°
Control interface	DALI
Connection	CI [ Internal connector]
Cable	-
Protection class IEC	Safety class I (I)
Flammability mark	F [ For mounting on normally flammable surfaces]
CE mark	CE mark
ENEC mark	ENEC mark
Warranty period	5 years
Optic type outdoor	Distribution narrow 10
Remarks	* At extreme ambient temperatures the luminaire might automatically dim down to protect components *-Per Lighting Europe guidance paper "Evaluating performance of LED based luminaires - January 2018": statistically there is no relevant difference in lumen maintenance between B50 and for example B10. Therefore, the median useful life (B50) value also represents the B10 value. Zhaga-D4i / SR compatibility: Luminaire prepared for D4i / SR drivers and Zhaga Book18 socket, offering a standardized futureproof platform for connectivity and sensors. For Zhaga-D4i / SR based luminaires only Zhaga-D4i / SR Certified components/sensors are to be used (see also: <a href="https://www.zhagastandard.org/products">https://www.zhagastandard.org/products</a> / <a href="http://www.lighting.philips.co.uk/oem-emea/products/driving-connected-lighting">http://www.lighting.philips.co.uk/oem-emea/products/driving-connected-lighting</a> ). Functional compatibility of 2 Zhaga-D4i / SR certified) components/sensors to be used in combination as well as override possibility of any lineswitch function used in a SR based luminaire, is to be released by the master component/sensor supplier. For the use of NEMA 7pin socket on a Zhaga-D4i / SR based luminaire a full system verification is required. Not following these advises can/will cause risk of damage and non-compliance for which Signify cannot take any responsibility.
Constant light output	Yes
Number of products on MCB of 16 A type B	31
EU RoHS compliant	Yes
Light source engine type	LED
Service tag	Yes
Product family code	BDP265 [ TOWNTUNE ASYMMETRIC]

Light Technical	
Upward light output ratio	0
Standard tilt angle posttop	-
Standard tilt angle side entry	0°
Operating and Electrical	
Input Voltage	220 to 240 V
Input Frequency	50 or 60 Hz
Initial CLO power consumption	69 W
Average CLO power consumption	71 W
End CLO power consumption	73 W
Inrush current	9.6 A
Inrush time	0.13 ms
Power Factor (Min)	0.98
Controls and Dimming	
Dimmable	Yes
Mechanical and Housing	
Housing Material	Aluminum die-cast
Reflector material	Acrylate
Optic material	Polymethyl methacrylate
Optical cover/lens material	Polymethyl methacrylate
Fixation material	Aluminum
Mounting device	76PA [ Post-top for diameter 76 mm adjustable]
Optical cover/lens shape	Convex lens
Optical cover/lens finish	Clear
Overall height	70 mm
Overall diameter	477 mm
Effective projected area	0.033 m²
Color	Dark gray
Dimensions (Height x Width x Depth)	70 x NaN x NaN mm (2.8 x NaN x NaN in)
Approval and Application	
Ingress protection code	IP66 [ Dust penetration-protected, jet-proof]
Mech. impact protection code	IK09 [ 10 J]
Surge Protection (Common/Differential)	Philips standard surge protection level kV
Initial Performance (IEC Compliant)	
Initial luminous flux (system flux)	9200 lm
Luminous flux tolerance	+/-7%
Initial LED luminaire efficacy	133 lm/W
Init. Corr. Color Temperature	4000 K
Init. Color Rendering Index	>70
Initial chromaticity	(0.381, 0.379) SDCM <5
Initial input power	69 W
Power consumption tolerance	+/-11%

# TownTune Asymmetric

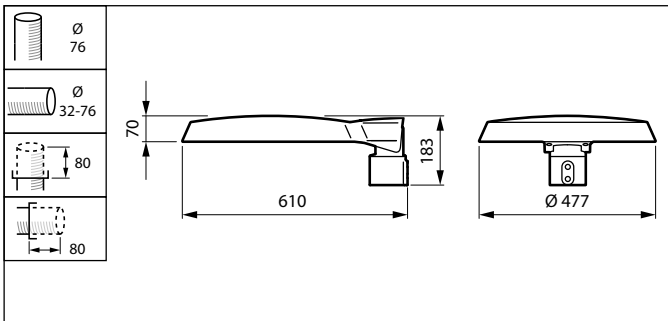
Init. Color Rendering Index	+/-2
Tolerance	
<b>Over Time Performance (IEC Compliant)</b>	
Control gear failure rate at	10 %
median useful life 100000 h	
Lumen maintenance at median	L100
useful life* 100000 h	
<b>Application Conditions</b>	
Ambient temperature range	-40 to +50 °C
Performance ambient	25 °C
temperature Tq	
Maximum dim level	10%

## Product Data

Full product code	871869949761300
Order product name	BDP265 LED120-4S/740 DN10 CLO SRT SRB 76
EAN/UPC - Product	8718699497613
Order code	49761300
Numerator - Quantity Per Pack	1
Numerator - Packs per outer	1
box	
Material Nr. (12NC)	912300024202
Net Weight (Piece)	6.800 kg

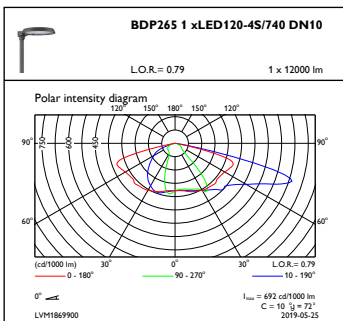


## Dimensional drawing

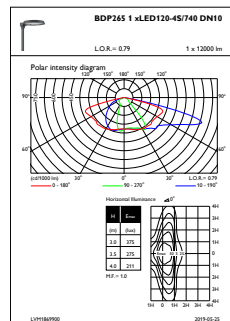


TownTune BDP260-273

## Photometric data



OFPC1\_BDP2651xLED120-4S740DN10



OFPL1\_BDP2651xLED120-4S740DN10

## TownTune Asymmetric

