



TownTune Asymmetric DTD

BDP268 LED74-4S/830 DW10 CLO SRT SRB 76A

TOWNTUNE ASYMMETRIC DTD - LED module 7400 lm - LED - 830 warm white - Power supply unit with DALI and SystemReady interface - 220 to 240 V - 50 or 60 Hz - Safety class I (I) - Distribution wide 10 - Polycarbonate bowl/cover UV-resistant - Dark gray - Philips standard surge protection level kV - - - Post-top for diameter 76 mm adjustable

As a luminaire family prepared for existing and scalable urban spaces, TownTune offers all the recent lighting innovations in terms of performance, quality of light and connectivity. The Philips TownTune family consists of three members: a central post top, an asymmetric spigot version and a version using an extending lyre post top bracket. Each of these three can be customized with a choice of different shapes for housing and an optional of decorative ring which comes in two colors. By having these options available you can create your very own lighting signature and give distinctive identity to districts and cities. The luminaire family is also equipped with the QR code-based Philips Service tag, which supports installation and maintenance work and enables you to create your digital library of lighting assets and spare parts. TownTune also makes use of the Philips Ledgine optimized lighting platform ensuring that you always have the right amount and direction of light on your street. Furthermore, thanks to being SR (System Ready), TownTune is also future-proof and is ready to be paired with both standalone and advanced control and lighting software applications such as Interact City.

Product data

TownTune Asymmetric DTD

General Information	
Lamp family code	LED74 [LED module 7400 lm]
Light source color	830 warm white
Light source replaceable	Yes
Number of gear units	1 unit
Driver/power unit/transformer	Power supply unit with DALI and SystemReady interface
Driver included	Yes
Optical cover/lens type	PC-UV [Polycarbonate bowl/cover UV-resistant]
Luminaire light beam spread	7° - 52° x 150°
Control interface	DALI
Connection	CI [Internal connector]
Cable	-
Protection class IEC	Safety class I (I)
Flammability mark	F [For mounting on normally flammable surfaces]
CE mark	CE mark
ENEC mark	ENEC mark
Warranty period	5 years
Optic type outdoor	Distribution wide 10
Remarks	* At extreme ambient temperatures the luminaire might automatically dim down to protect components
Constant light output	Yes
Number of products on MCB of 16 A type B	31
EU RoHS compliant	Yes
Light source engine type	LED
Service tag	Yes
Product family code	BDP268 [TOWNTUNE ASYMMETRIC DTD]
Light Technical	
Upward light output ratio	0
Standard tilt angle posttop	-
Standard tilt angle side entry	0°
Operating and Electrical	
Input Voltage	220 to 240 V
Input Frequency	50 or 60 Hz
Initial CLO power consumption	55 W
Average CLO power consumption	56 W
End CLO power consumption	57 W
Inrush current	9.6 A
Inrush time	0.13 ms
Power Factor (Min)	0.97
Controls and Dimming	
Dimmable	Yes
Mechanical and Housing	
Housing Material	Aluminum die-cast

Reflector material	Acrylate
Optic material	Polymethyl methacrylate
Optical cover/lens material	Polymethyl methacrylate
Fixation material	Aluminum
Mounting device	76PA [Post-top for diameter 76 mm adjustable]
Optical cover/lens shape	Convex lens
Optical cover/lens finish	Clear
Overall height	196 mm
Overall diameter	477 mm
Effective projected area	0.039 m²
Color	Dark gray
Dimensions (Height x Width x Depth)	196 x NaN x NaN mm (7.7 x NaN x NaN in)

Approval and Application

Ingress protection code	IP66 [Dust penetration-protected, jet-proof]
Mech. impact protection code	IK09 [10 J]
Surge Protection (Common/Differential)	Philips standard surge protection level kV

Initial Performance (IEC Compliant)

Initial luminous flux (system flux)	5880 lm
Luminous flux tolerance	+/-7%
Initial LED luminaire efficacy	107 lm/W
Init. Corr. Color Temperature	3000 K
Init. Color Rendering Index	>80
Initial chromaticity	(0.410, 0.390) SDCM <5
Initial input power	55 W
Power consumption tolerance	+/-11%

Over Time Performance (IEC Compliant)

Control gear failure rate at median useful life 100000 h	10 %
Lumen maintenance at median useful life* L100 100000 h	

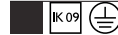
Application Conditions

Ambient temperature range	-40 to +50 °C
Performance ambient temperature Tq	25 °C
Maximum dim level	10%

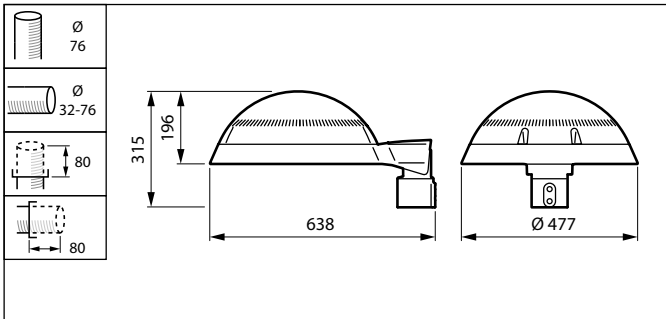
Product Data

Full product code	871869949764400
Order product name	BDP268 LED74-4S/830 DW10 CLO SRT SRB 76A
EAN/UPC - Product	8718699497644
Order code	49764400
Numerator - Quantity Per Pack	1
Numerator - Packs per outer box	1
Material Nr. (12NC)	912300024205
Net Weight (Piece)	6.800 kg

TownTune Asymmetric DTD



Dimensional drawing



TownTune BDP260-273

