



# TownTune Asymmetric Lyre DR

## BDP271 LED69-4S/830 II DM10 CLO SRT SRB

TOWNTUNE ASYMMETRIC LYRE and DR - LED module 6900 lm  
- LED - 830 warm white - Power supply unit with DALI and SystemReady interface - 220 to 240 V - 50 or 60 Hz - Safety class II (II) - Distribution medium 10 - Polycarbonate bowl/cover UV-resistant - Dark gray - Philips standard surge protection level kV - - - Post-top for diameter 62 mm - Decorative ring

As a luminaire family prepared for existing and scalable urban spaces, TownTune offers all the recent lighting innovations in terms of performance, quality of light and connectivity. The Philips TownTune family consists of three members: a central post top, an asymmetric spigot version and a version using an extending lyre post top bracket. Each of these three can be customized with a choice of different shapes for housing and an optional of decorative ring which comes in two colors. By having these options available you can create your very own lighting signature and give distinctive identity to districts and cities. The luminaire family is also equipped with the QR code-based Philips Service tag, which supports installation and maintenance work and enables you to create your digital library of lighting assets and spare parts. TownTune also makes use of the Philips Ledgine optimized lighting platform ensuring that you always have the right amount and direction of light on your street. Furthermore, thanks to being SR (System Ready), TownTune is also future-proof and is ready to be paired with both standalone and advanced control and lighting software applications such as Interact City.

### Product data

# TownTune Asymmetric Lyre DR

General Information	
Lamp family code	LED69 [ LED module 6900 lm]
Light source color	830 warm white
Light source replaceable	Yes
Number of gear units	1 unit
Driver/power unit/transformer	Power supply unit with DALI and SystemReady interface
Driver included	Yes
Optical cover/lens type	PC-UV [ Polycarbonate bowl/cover UV-resistant]
Luminaire light beam spread	12° - 76° x 157°
Control interface	DALI
Connection	CI [ Internal connector]
Cable	-
Protection class IEC	Safety class II (II)
Flammability mark	F [ For mounting on normally flammable surfaces]
CE mark	CE mark
ENEC mark	ENEC mark
Warranty period	5 years
Decorative accessories	DR [ Decorative ring]
Optic type outdoor	Distribution medium 10
Remarks	* At extreme ambient temperatures the luminaire might automatically dim down to protect components
Constant light output	Yes
Number of products on MCB of 16 A type B	31
EU RoHS compliant	Yes
Light source engine type	LED
Service tag	Yes
Product family code	BDP271 [ TOWNTUNE ASYMMETRIC LYRE and DR]

Light Technical	
Upward light output ratio	0
Standard tilt angle posttop	0°
Standard tilt angle side entry	-

Operating and Electrical	
Input Voltage	220 to 240 V
Input Frequency	50 or 60 Hz
Initial CLO power consumption	52 W
Average CLO power consumption	53 W
End CLO power consumption	54 W
Inrush current	9.6 A
Inrush time	0.13 ms
Power Factor (Min)	0.97

Controls and Dimming	
Dimmable	Yes

Mechanical and Housing	
Housing Material	Aluminum die-cast
Reflector material	Acrylate
Optic material	Polymethyl methacrylate
Optical cover/lens material	Polymethyl methacrylate
Fixation material	Aluminum
Mounting device	62P [ Post-top for diameter 62 mm]
Optical cover/lens shape	Convex lens
Optical cover/lens finish	Clear
Overall height	580 mm
Overall diameter	533 mm
Effective projected area	0.095 m²
Color	Dark gray
Dimensions (Height x Width x Depth)	580 x NaN x NaN mm (22.8 x NaN x NaN in)

Approval and Application	
Ingress protection code	IP66 [ Dust penetration-protected, jet-proof]
Mech. impact protection code	IK09 [ 10 J]
Surge Protection (Common/Differential)	Philips standard surge protection level kV

Initial Performance (IEC Compliant)	
Initial luminous flux (system flux)	5148 lm
Luminous flux tolerance	+/-7%
Initial LED luminaire efficacy	99 lm/W
Init. Corr. Color Temperature	3000 K
Init. Color Rendering Index	>80
Initial chromaticity	(0.410, 0.390) SDCM <5
Initial input power	52 W
Power consumption tolerance	+/-11%
Init. Color Rendering Index Tolerance	+/-2

Over Time Performance (IEC Compliant)	
Control gear failure rate at median useful life 100000 h	10 %
Lumen maintenance at median useful life* 100000 h	L100

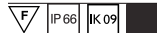
Application Conditions	
Ambient temperature range	-40 to +50 °C
Performance ambient temperature Tq	25 °C
Maximum dim level	10%

Product Data	
Full product code	871869949770500
Order product name	BDP271 LED69-4S/830 II DM10 CLO SRT SRB
EAN/UPC - Product	8718699497705
Order code	49770500
Numerator - Quantity Per Pack	1
Numerator - Packs per outer box	1
Material Nr. (12NC)	912300024211

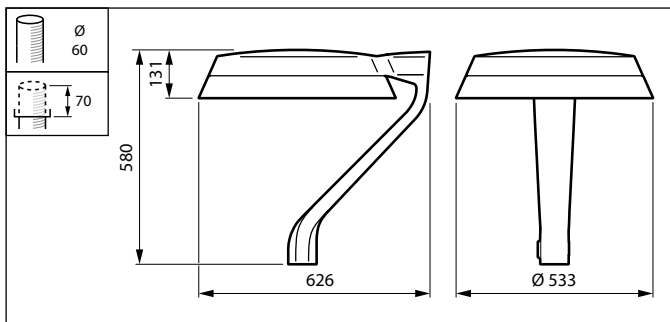
# TownTune Asymmetric Lyre DR

Net Weight (Piece)

10.500 kg



## Dimensional drawing



TownTune BDP260-273

