



# TownTune Central Post-Top

## BDP260 LED39-4S/740 II DS50 62P

TOWNTUNE CENTRAL POST-TOP - LED module 3900 lm - LED - 740 neutral white - Power supply unit - 220 to 240 V - 50 to 60 Hz - Safety class II (II) - Distribution symmetrical 50 - Polycarbonate bowl/cover UV-resistant - Dark gray - Philips standard surge protection level kV - - - Post-top for diameter 62 mm

As a luminaire family prepared for existing and scalable urban spaces, TownTune offers all the recent lighting innovations in terms of performance, quality of light and connectivity. The Philips TownTune family consists of three members: a central post top, an asymmetric spigot version and a version using an extending lyre post top bracket. Each of these three can be customized with a choice of different shapes for housing and an optional of decorative ring which comes in two colors. By having these options available you can create your very own lighting signature and give distinctive identity to districts and cities. The luminaire family is also equipped with the QR code-based Philips Service tag, which supports installation and maintenance work and enables you to create your digital library of lighting assets and spare parts. TownTune also makes use of the Philips Ledgine optimized lighting platform ensuring that you always have the right amount and direction of light on your street. Furthermore, thanks to being SR (System Ready), TownTune is also future-proof and is ready to be paired with both standalone and advanced control and lighting software applications such as Interact City.

### Product data

# TownTune Central Post-Top

| General Information                      |  |
|--|--|
| Lamp family code                         | LED39 [ LED module 3900 lm]  |
| Light source color                       | 740 neutral white  |
| Light source replaceable                 | Yes  |
| Number of gear units                     | 1 unit   |
| Driver/power unit/transformer            | PSU [ Power supply unit]   |
| Driver included                          | Yes  |
| Optical cover/lens type                  | PC-UV [ Polycarbonate bowl/cover UV-resistant]   |
| Luminaire light beam spread              | 152° x 155°  |
| Control interface                        | -  |
| Connection                               | CI [ Internal connector]   |
| Cable                                    | -  |
| Protection class IEC                     | Safety class II (II)   |
| Flammability mark                        | F [ For mounting on normally flammable surfaces]   |
| CE mark                                  | CE mark  |
| ENEC mark                                | ENEC mark  |
| Warranty period                          | 5 years  |
| Optic type outdoor                       | Distribution symmetrical 50  |
| Remarks                                  | * At extreme ambient temperatures the luminaire might automatically dim down to protect components |
| Constant light output                    | No   |
| Number of products on MCB of 16 A type B | 26   |
| EU RoHS compliant                        | Yes  |
| Light source engine type                 | LED  |
| Service tag                              | Yes  |
| Product family code                      | BDP260 [ TOWNTUNE CENTRAL POST-TOP]  |

| Light Technical                |    |
|--------------------------------|----|
| Upward light output ratio      | 0  |
| Standard tilt angle posttop    | 0° |
| Standard tilt angle side entry | -  |

| Operating and Electrical |              |
|--------------------------|--------------|
| Input Voltage            | 220 to 240 V |
| Input Frequency          | 50 to 60 Hz  |
| Inrush current           | 21 A         |
| Inrush time              | 0.225 ms     |
| Power Factor (Min)       | 0.97         |

| Controls and Dimming |    |
|----------------------|----|
| Dimmable             | No |

| Mechanical and Housing |                         |
|------------------------|-------------------------|
| Housing Material       | Aluminum die-cast       |
| Reflector material     | Acrylate                |
| Optic material         | Polymethyl methacrylate |

|                                     |   |
|-------------------------------------|---|
| Optical cover/lens material         | Polymethyl methacrylate                 |
| Fixation material                   | Aluminum                                |
| Mounting device                     | 62P [ Post-top for diameter 62 mm]      |
| Optical cover/lens shape            | Convex lens                             |
| Optical cover/lens finish           | Clear                                   |
| Overall height                      | 187 mm                                  |
| Overall diameter                    | 477 mm                                  |
| Effective projected area            | 0.042 m <sup>2</sup>                    |
| Color                               | Dark gray                               |
| Dimensions (Height x Width x Depth) | 187 x NaN x NaN mm (7.4 x NaN x NaN in) |

| Approval and Application               |   |
|--|---|
| Ingress protection code                | IP66 [ Dust penetration-protected, jet-proof] |
| Mech. impact protection code           | IK10 [ 20 J vandal-resistant]                 |
| Surge Protection (Common/Differential) | Philips standard surge protection level kV    |

| Initial Performance (IEC Compliant) |                        |
|-------------------------------------|------------------------|
| Initial luminous flux (system flux) | 2808 lm                |
| Luminous flux tolerance             | +/-7%                  |
| Initial LED luminaire efficacy      | 117 lm/W               |
| Init. Corr. Color Temperature       | 4000 K                 |
| Init. Color Rendering Index         | >70                    |
| Initial chromaticity                | (0.381, 0.379) SDCM <5 |
| Initial input power                 | 24 W                   |
| Power consumption tolerance         | +/-11%                 |

| Over Time Performance (IEC Compliant)                    |      |
|--|------|
| Control gear failure rate at median useful life 100000 h | 10 % |
| Lumen maintenance at median useful life* 100000 h        | L97  |

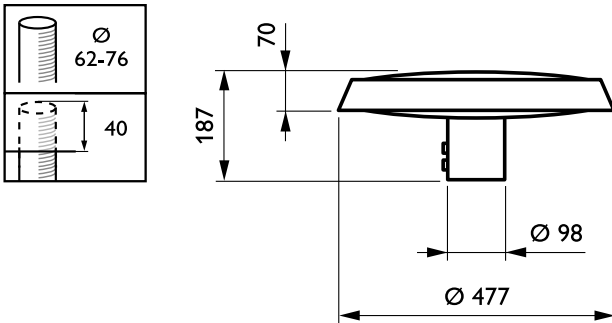
| Application Conditions             |               |
|------------------------------------|---------------|
| Ambient temperature range          | -40 to +50 °C |
| Performance ambient temperature Tq | 25 °C         |
| Maximum dim level                  | 10%           |

| Product Data                    |                                 |
|---------------------------------|---------------------------------|
| Full product code               | 871869986491000                 |
| Order product name              | BDP260 LED39-4S/740 II DS50 62P |
| EAN/UPC - Product               | 8718699864910                   |
| Order code                      | 86491000                        |
| Numerator - Quantity Per Pack   | 1                               |
| Numerator - Packs per outer box | 1                               |
| Material Nr. (12NC)             | 912300024254                    |
| Net Weight (Piece)              | 6.800 kg                        |



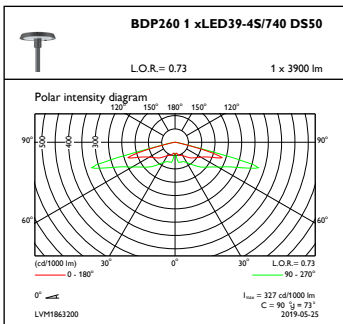
# TownTune Central Post-Top

## Dimensional drawing

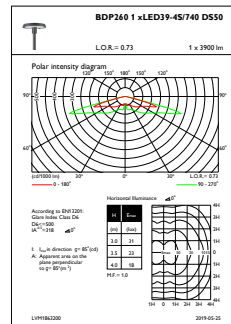


TownTune BDP260-273

## Photometric data



OFPC1\_BDP2601xLED39-4S740DS50



OFPL1\_BDP2601xLED39-4S740DS50

