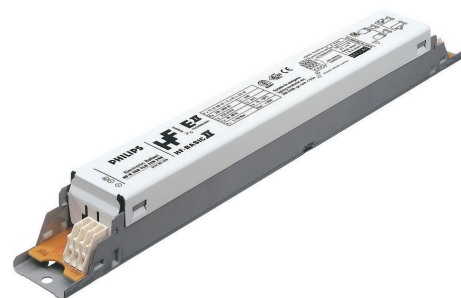


# PHILIPS

## Lighting



# HF-Basic II for TL-D lamps

## HF-B 158/258 TL-D EII 220-240V 50/60Hz

Slim, lightweight, High Frequency electronic ballasts for TL-D and PL-L fluorescent lamps, for applications with low switching frequency, based on EII technology

### Product data

#### General Information

Application Code	EII
Type Version	mk1
Lamp Type	TL-D
Number of Lamps	2 piece/unit
Number of Products on MCB (16A Type B) (Nom)	12
Automatic Restart	Yes

#### Operating and Electrical

Input Voltage	220 to 240 V
Input Frequency	50 to 60 Hz
Operating Frequency (Max)	- kHz
Operating Frequency (Min)	42 kHz
Operating Frequency (Nom)	45 kHz
Ignition Method	Cold Start
Crestfactor (Max)	1.7
Power Factor 100% Load (Nom)	0.96
Ignition Time (Max)	0.5 s
Mains Voltage Performance (AC)	-8% - +6%
Mains Voltage Safety (AC)	-10% - +10%
Earth Leakage Current (Nom)	0.5 mA

Inrush Current Width	0.35 ms
Constant Wattage Deviation	-2%/+2%
Ballast Factor (Nom)	0.95
Power Losses (Nom)	6.0 W
Inrush Current Peak (Max)	31 A

#### Wiring

Connector Type Input Terminals	WAGO 251 universal connector [ Suitable for both automatic wiring (ALF and ADS) and manual wiring]
Cable Capacity Output Wires Mutual (Nom)	120 pF
Connector Type Output Terminals	WAGO 251 universal connector [ Suitable for both automatic wiring (ALF and ADS) and manual wiring]
Cable Length From Device to Lamp	2.00 m
Cable Length Hot Wiring	0.75 m
Wire Striplength	8.0-9.0 mm
Dual Fixture Master/Slave	Yes [ Master/Slave operation possible]
Input Terminal Cross Section	0.50-1.00 mm <sup>2</sup>
Output Terminal Cross Section	0.50-1.00 mm <sup>2</sup>
Auto Insert (ALF/ADS) Wire Cross Section	0.5 mm <sup>2</sup>
Cable Capacity Output Wires to Earth (Nom)	120 pF

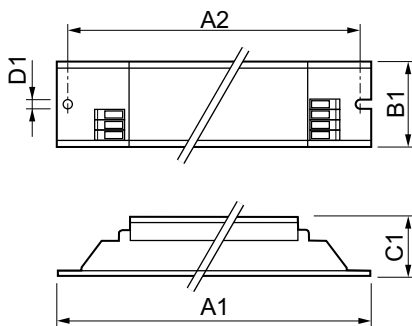
## HF-Basic II for TL-D lamps

System characteristics	
Rated Ballast-Lamp Power	58 W
Rated Lamp Power on TL-D	58 W
System Power on TL-D	57 W
Lamp Power on TL-D	50 W
Power Loss on TL-D	7 W
Temperature	
T-Ambient (Max)	50 °C
T-Ambient (Min)	-15 °C
T-Storage (Max)	80 °C
T-Storage (Min)	-40 °C
T-Case Lifetime (Nom)	75 °C
T-Case Maximum (Max)	75 °C
T-Ignition (Max)	50 °C
T-Ignition (Min)	-15 °C
Mechanical and Housing	
Housing	- [ Not Specified]
Emergency Operation	
Battery Voltage Lamp Ignition	198-254 V
Battery Voltage Lamp Operation	176-254
Approval and Application	
Energy Efficiency Index	A2
EMI 9 kHz ... 30 MHz	EN55015
EMI 30 MHz ... 1000 MHz	EN55022 level A

Safety Standard	IEC 61347-2-3
Performance Standard	IEC 60929
Quality Standard	ISO 9000:2000
Environmental Standard	ISO 14001
Harmonic Current Emission Standard	IEC 61000-3-2
EMC Immunity Standard	IEC 61547
Vibration Standard	IEC68-2-6 F c
Bumps Standard	IEC 68-2-29 Eb
Humidity Standard	EN 61347-2-3 clause 11
Approval Marks	CE marking ENEC certificate VDE-EMV certificate
Temperature Marking	Yes
Emergency Standard	IEC 60598-2-22
Hum And Noise Level	Inaudible

Product Data	
Full product code	871150093160330
Order product name	HF-B 158/258 TL-D EII 220-240V 50/60Hz
EAN/UPC - Product	8711500931603
Order code	93160330
Numerator - Quantity Per Pack	1
Numerator - Packs per outer box	12
Material Nr. (12NC)	913700192966
Net Weight (Piece)	0.240 kg

### Dimensional drawing



HF-B 258 TL-D EII 220-240V 50/60Hz

Product	D1	C1	A1	A2	B1
HF-B 158/258 TL-D EII 220-240V 50/60Hz	4.2 mm	28.0 mm	280.0 mm	265.0 mm	30.0 mm

## HF-Basic II for TL-D lamps

