



HF-Performer Intelligent for TL5 HE/HO lamps

HF-Pi 1 28/35/49/54 TL5 220-240V

Intelligent, flat, slim, lightweight high-frequency electronic ballast for TL5 fluorescent lamps

Product data

General Information	
Application Code	EII
Type Version	mk1
Lamp Type	TL5
Number of Lamps	1 piece/unit
Number of Products on MCB (16A Type B) (Nom)	18
Automatic Restart	Yes
Operating and Electrical	
Input Voltage	220 to 240 V
Input Frequency	50 to 60 Hz
Ignition Method	Warm Start
Crestfactor (Max)	1.7
Ignition Time (Max)	5.0 s
Mains Voltage Performance (AC)	-8%~+6%
Mains Voltage Safety (AC)	-10%~+10%
Earth Leakage Current (Max)	0.5 mA
Inrush Current Width	0.35 ms
Constant Wattage Deviation	-2%/+2%

Ballast Factor (Nom)	1.00
Power Losses (Nom)	4.8-7.0 W
Inrush Current Peak (Max)	20 A

Wiring

Connector Type Input Terminals	Insert
Cable Capacity Output Wires Mutual (Nom)	70 pF
Connector Type Output Terminals	Insert
Cable Length Hot Wiring	0.75 m
Wire Striplength	8.0-9.0 mm
Input Terminal Cross Section	0.50-1.00 mm ²
Output Terminal Cross Section	0.50-1.00 mm ²
Cable Capacity Output Wires to Earth (Nom)	70 pF

System characteristics

Rated Ballast-Lamp Power	28-54 W
Rated Lamp Power on TL5	28/35/49/54 W
System Power on TL5	37.9/44.4/56.8/62.6 W
Lamp Power on TL5	30.9/39.8/52.6/57.8 W

HF-Performer Intelligent for TL5 HE/HO lamps

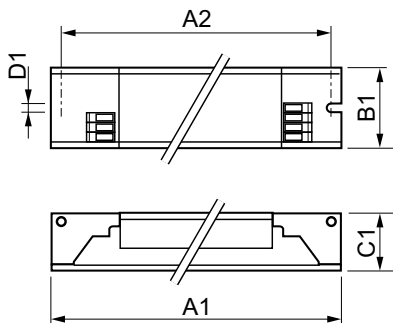
Power Loss on TL5	7/4.6/4.2/4.8 W
Temperature	
T-Ambient (Max)	50 °C
T-Ambient (Min)	-25 °C
T-Storage (Max)	80 °C
T-Storage (Min)	-40 °C
T-Case Lifetime (Nom)	75 °C
T-Case Maximum (Max)	75 °C
T-Ignition (Max)	50 °C
T-Ignition (Min)	-25 °C
Mechanical and Housing	
Housing	L360x30x22
Emergency Operation	
Nominal Light Output After 60 Seconds	100% of EBLF
Battery Voltage Lamp Operation	198-276
Emergency Ballast Lumen Factor (EBLF) (Nom)	100 %
Nominal Light Output After 5 Seconds	50% of EBLF
Approval and Application	
Energy Efficiency Index	A2 BAT
IP Classification	IP 20 [Ingress Protection 20]
EMI 9 kHz ... 30 MHz	EN55015
EMI 30 MHz ... 1000 MHz	EN 55022 Class B

Safety Standard	IEC 61347-2-3
Performance Standard	IEC 60929
Quality Standard	ISO 9000:2000
Environmental Standard	ISO 14001
Harmonic Current Emission Standard	IEC 61000-3-2
EMC Immunity Standard	IEC 61547
Vibration Standard	IEC68-2-6 F c
Bumps Standard	IEC 68-2-29 Eb
Humidity Standard	EN 61347-2-3 clause 11
Approval Marks	CE marking ENEC certificate VDE-EMV certificate
Temperature Marking	Yes
Emergency Standard	IEC 60598-2-22
Hum And Noise Level	Inaudible

Product Data

Full product code	871150091496530
Order product name	HF-Pi 1 28/35/49/54 TL5 EII 220-240V
EAN/UPC - Product	8711500914965
Order code	91496530
Numerator - Quantity Per Pack	1
Numerator - Packs per outer box	12
Material Nr. (12NC)	913700624166
Net Weight (Piece)	0.247 kg

Dimensional drawing



HF-Pi 1 28/35/49/54 TL5 EII 220-240V

Product	D1	C1	A1	A2	B1
HF-Pi 1 28/35/49/54 TL5 EII 220-240V	4.2 mm	22 mm	360 mm	350 mm	30 mm

HF-Performer Intelligent for TL5 HE/HO lamps

