



HF-Performer Intelligent for TL5 HE/HO lamps

HF-Pi 1 28/35/49/80 TL5 EII 220-240V

Intelligent, flat, slim, lightweight high-frequency electronic ballast for TL5 fluorescent lamps

Product data

General information		Power Losses (Nom)	
Application Code	EII		4.0-5.4 W
Lamp Type	TL5	Inrush Current Peak (Max)	31 A
Number of Lamps	1 piece/unit	Efficiency at full load [%]	96.39 %
Number of Products on MCB (16A Type B) (Nom)	12	Wiring	
Automatic Restart	Yes	Connector Type Input Terminals	Insert
Operating and electrical		Cable Capacity Output Wires Mutual (Nom)	150 pF
Input Voltage	220 to 240 V	Connector Type Output Terminals	Insert
Input Frequency	50 to 60 Hz	Cable Length Hot Wiring	0.75 m
Ignition Method	Warm Start	Wire Striplength	8.0-9.0 mm
Crestfactor (Max)	1.7	Input Terminal Cross Section	0.50-1.00 mm ²
Ignition Time (Max)	5.0 s	Output Terminal Cross Section	0.50-1.00 mm ²
Mains Voltage Performance (AC)	-8%+6%	Cable Capacity Output Wires to Earth (Nom)	150 pF
Mains Voltage Safety (AC)	-10%+10%	System characteristics	
Earth Leakage Current (Max)	0.5 mA	Rated Ballast-Lamp Power	28/35/49/80 W
Inrush Current Width	0.35 ms	Rated Lamp Power on TL5	28/35/49/80 W
Constant Wattage Deviation	-2%/+2%	System Power on TL5	34.7/43.3/55/89.8 W
Ballast Factor (Nom)	1.00	Lamp Power on TL5	30.7/38.7/50.2/84 W

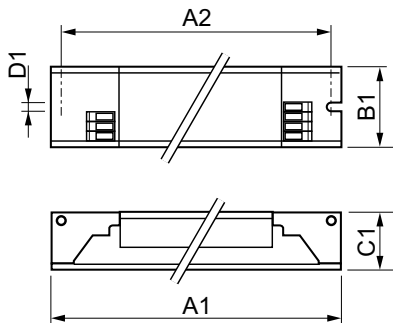
HF-Performer Intelligent for TL5 HE/HO lamps

Power Loss on TL5	4/4.6/4.8/5.8 W
Temperature	
T-Ambient (Max)	50 °C
T-Ambient (Min)	-25 °C
T-Storage (Max)	80 °C
T-Storage (Min)	-40 °C
T-Case Lifetime (Nom)	75 °C
T-Case Lifetime (Nom)-DUP(do not use)	75 °C
T-Case Maximum (Max)	75 °C
T-Ignition (Max)	50 °C
T-Ignition (Min)	-25 °C
Mechanical and housing	
Housing	L360x30x22
Emergency operation	
Nominal Light Output After 60 Seconds	100% of EBLF
Battery Voltage Lamp Operation	198-276
Emergency Ballast Lumen Factor (EBLF) (Nom)	100 %
Nominal Light Output After 5 Seconds	50% of EBLF
Approval and application	
Energy Efficiency Index	A2 BAT
IP Classification	IP 20 [Ingress Protection 20]
EMI 9 kHz ... 30 MHz	EN55015
EMI 30 MHz ... 1000 MHz	EN 55022 Class B

Safety Standard	IEC 61347-2-3
Performance Standard	IEC 60929
Quality Standard	ISO 9000:2000
Environmental Standard	ISO 14001
Harmonic Current Emission Standard	IEC 61000-3-2
EMC Immunity Standard	IEC 61547
Vibration Standard	IEC68-2-6 F c
Bumps Standard	IEC 68-2-29 Eb
Humidity Standard	EN 61347-2-3 clause 11
Approval Marks	CE marking ENEC certificate VDE-EMV certificate
Temperature Marking	Yes
Emergency Standard	IEC 60598-2-22
Hum And Noise Level	Inaudible

Product data	
Full product code	872790086249200
Order product name	HF-Pi 1 28/35/49/80 TL5 EII
EAN/UPC - Product	8711500881182
Order code	86249200
Numerator - Quantity Per Pack	1
Numerator - Packs per outer box	12
Material Nr. (12NC)	913700652566
Net Weight (Piece)	0.247 kg

Dimensional drawing



HF-Pi 1 28/35/49/80 TL5 EII

Product	D1	C1	A1	A2	B1
HF-Pi 1 28/35/49/80 TL5 EII	4.2 mm	22 mm	360 mm	350 mm	30 mm

HF-Performer Intelligent for TL5 HE/HO lamps

