



PrimaVision Xtreme for CPO

HID-PV Xt 90 CPO L1 208-277V

Compact, robust, outdoor, one-piece, electronic ballasts for CosmoPolis White (CPO-TW) lamps

Product data

General Information		Lamp Power Tolerance	
Lamp Type	CPO	Lamp Power Tolerance	-3%/+3%
Number of Lamps	1 piece/unit	Input Current (Nom)	0.49 A
Suitable For Outdoor Use	Yes	Inrush Current Peak (Max)	52 A
Number of Products on MCB (16A Type B) (Nom)	5	Wiring	
Default Lamp Selected	CPO90	Cable Capacity Output Wires Mutual (Nom)	1000 pF
Automatic Restart	Yes	Cable Length From Device to Lamp	10 m
Operating and Electrical		Wire Striplength	10.0-11.0 mm
Input Voltage	208-240-277 V	Ballast Contact Wire Cross Section	0.50-2.50 mm ²
Input Frequency	50 to 60 Hz	Connector Type	WAGO series 804
Minimum Mains Voltage Operation (Min)	172 V	System characteristics	
Operating Frequency (Nom)	0.40 kHz	Rated Ballast-Lamp Power	90 W
Power Factor 100% Load (Nom)	0.98	Rated Lamp Power on CPO	90 W
Ignition Voltage (Max)	5 kV	System Power on CPO	98 W
Ignition Switch-Off Time (Nom)	20 min	Lamp Power on CPO	90 W
Mains Voltage Performance (AC)	188-305V	Power Loss on CPO	8 W
Mains Voltage Safety (AC)	160-305V	Power Loss on CPO While Dimming	5.5 W
Earth Leakage Current (Max)	0.7 mA	Temperature	
Output Peak Voltage (Max)	250 V	T-Ambient (Max)	55 °C
Inrush Current Width	0.47 ms	T-Ambient (Min)	-30 °C

PrimaVision Xtreme for CPO

T-Storage (Max)	55 °C
T-Storage (Min)	-30 °C
T-Case Lifetime (Nom)	80 °C
T-Case Switch Off (Min)	92 °C

Controls and Dimming

Programmable Lamp Settings	None
Pre-Set Integrated Controls	None
Programmable Dimming Options	None
Control Input Protection	Yes (Basic insulation)
Regulating Level	-

Mechanical and Housing

Housing	Q
---------	---

Approval and Application

Surge Protection (Common/Differential)	EN61547 (L-L 2kV, L-G 4kV), 10kV TIL kV
IP Classification Luminaire	34
Active Temperature Protection	Yes
EMI 9 kHz ... 300 MHz	CISPR 15 ed 7.2
EMI 30 MHz ... 1000 MHz	CISPR15 Edition 7.2
Safety Standard	IEC 607, 609, 926, 928 [No Standard for HID Lamp drivers exists. Requirements in

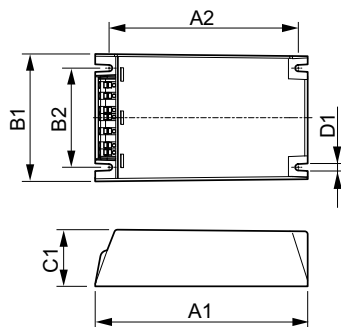
these standards to be used if considered relevant for the product.]

Quality Standard	ISO 9000:2000
Environmental Standard	ISO 14001
Harmonic Current Emission Standard	IEC 61000-3-2
Vibration Standard	IEC 68-2-6 Fc (10-150Hz, 2G)
Bumps Standard	IEC 68-2-29 Eb (10G/16ms)
Humidity Standard	EN 61347-2-12 clause 11
Approval Marks	F-Marking CE marking ENEC certificate VDE-EMV certificate
Hum And Noise Level	< 30 dB(A)

Product Data

Full product code	871829124145400
Order product name	HID-PV Xt 90 CPO Q 208-277V
EAN/UPC - Product	8718291241454
Order code	24145400
Numerator - Quantity Per Pack	1
Numerator - Packs per outer box	12
Material Nr. (12NC)	913700685566
Net Weight (Piece)	0.820 kg

Dimensional drawing



HID-PV Xt 90 CPO Q 208-277V

Product	D1	C1	A1	A2	B1	B2
HID-PV Xt 90 CPO Q 208-277V	4.5 mm	40.0 mm	150.0 mm	133.6 mm	90.0 mm	70.0 mm

