



Dynalite System Integration

DPMI940-DALI

Four-way dry contact DALI interface

Four-way dry contact DALI interface

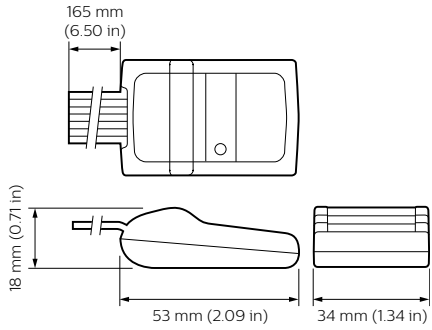
Product data

General Information	
CE mark	CE mark
Remarks	Please download the Lighting - Product Data Sheet for more information and ordering options
EU RoHS compliant	Yes
Application Conditions	
Ambient temperature range	0 to +50 °C
Product Data	
Full product code	871016352366800

Order product name	DPMI940-DALI
EAN/UPC - Product	8710163523668
Order code	52366800
Numerator - Quantity Per Pack	1
Numerator - Packs per outer box	1
Material Nr. (12NC)	913703080609
Net Weight (Piece)	29.000 g

Dynalite System Integration

Dimensional drawing



Dynalite System Integration

