



MASTER CityWhite CDO-ET

MASTER CityWhite CDO-ET Plus 100W/828 E40

Ceramic metal halide Outdoor with opalized ovoid outer bulb

Warnings and Safety

- Use only in totally enclosed luminaire, even during testing (IEC61167, IEC 62035, IEC60598)
- The luminaire must be able to contain hot lamp parts if the lamp ruptures
- Lamps may use electronic or electromagnetic control gear
- Control gear must include end-of-life protection (IEC61167, IEC 62035)
- Warm restart time can be up to 15 minutes; T15 ignitors therefore advised
- A lamp breaking is extremely unlikely to have any impact on your health. If a lamp breaks, ventilate the room for 30 minutes and remove the parts, preferably with gloves. Put them in a sealed plastic bag and take it to your local waste facilities for recycling. Do not use a vacuum cleaner.

Product data

General Information		Light Technical	
Cap-Base	E40 [E40]	LSF 20000 h Rated	90 %
Operating Position	UNIVERSAL [Any or Universal (U)]	Colour Code	828 [CCT of 2800K]
Life to 5% Failures (Nom)	18000 h	Luminous Flux (Rated) (Nom)	9400 lm
Life To 10% Failures (Nom)	20000 h	Colour Designation	Warm White (WW)
Life to 20% Failures (Nom)	22500 h	Chromaticity Coordinate X (Nom)	0.447
Life to 50% Failures (Nom)	27000 h	Chromaticity Coordinate Y (Nom)	0.400
LSF 2000 h Rated	99 %	Colour Temperature, horizontal (Nom)	2800 K
LSF 4000 h Rated	99 %	Luminous Efficacy (rated) (Nom)	99 lm/W
LSF 6000 h Rated	99 %	Colour Rendering Index horiz (Nom)	87
LSF 8000 h Rated	99 %	Depreciation 2000 hrs	95 %
LSF 12000 h Rated	99 %	LLMF 4000 h Rated	92 %
LSF 16000 h Rated	97 %	Depreciation 5000 hrs	90 %

MASTER CityWhite CDO-ET

LLMF 8000 h Rated	88 %
LLMF 12000 h Rated	85 %
LLMF 16000 h Rated	82 %
LLMF 20000 h Rated	80 %
Ratio Scotopic/Photopic Lumens	1.30

Operating and Electrical

Power (Rated) (Nom)	95.0 W
Lamp Current Run-Up (Max)	2.2 A
Lamp Current (EM) (Nom)	0.123 A
Ignition Supply Voltage (Max)	198 V
Ignition Peak Voltage (Max)	5000 V
Ignition Supply Voltage (Min)	198 V
Re-Ignition Time (Min) (Max)	900 s
Ignition Time (Max)	30 s
Voltage (Max)	98 V
Voltage (Min)	82 V
Voltage (Nom)	90 V

Controls and Dimming

Dimmable	Yes
Run-up Time 90% (Max)	2 min

Mechanical and Housing

Bulb Finish	Coated glass
-------------	--------------

Approval and Application

Energy Efficiency Label	A+
Mercury (Hg) Content (Nom)	11.6 mg
Energy Consumption kWh/1000 h	105 kWh

UV

Pet (Niosh) (Min)	8 h/500lx
-------------------	-----------

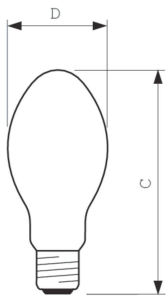
Luminaire Design Requirements

Bulb Temperature (Max)	450 °C
Cap-Base Temperature (Max)	250 °C

Product Data

Full product code	871829115877600
Order product name	MASTER CityWhite CDO-ET Plus 100W/828 E40
EAN/UPC - Product	8718291158776
Order code	15877600
Numerator - Quantity Per Pack	1
Numerator - Packs per outer box	12
Material Nr. (12NC)	928154808835
Net Weight (Piece)	0.130 kg
ILCOS Code	ME100/28/1B-H-E40

Dimensional drawing

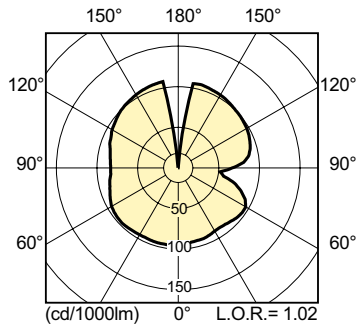


CDO-ET Plus 100W/828 E40

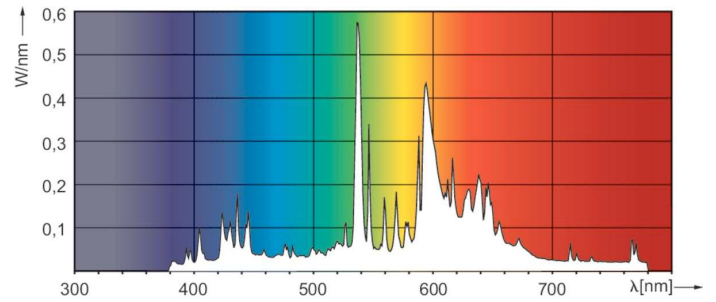
Product	D (max)	C (max)
MASTER CityWhite CDO-ET Plus 100W/828 E40	76 mm	186 mm

MASTER CityWhite CDO-ET

Photometric data

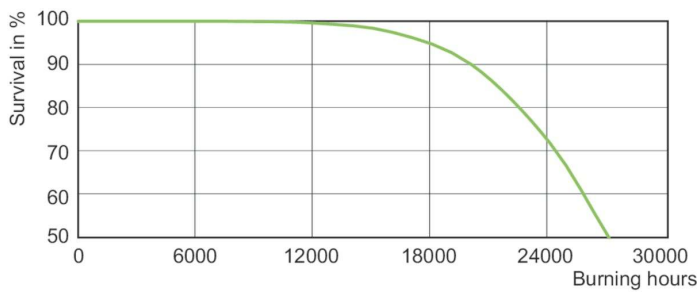


LDLD_CDO-ET_0002-Light distribution diagram

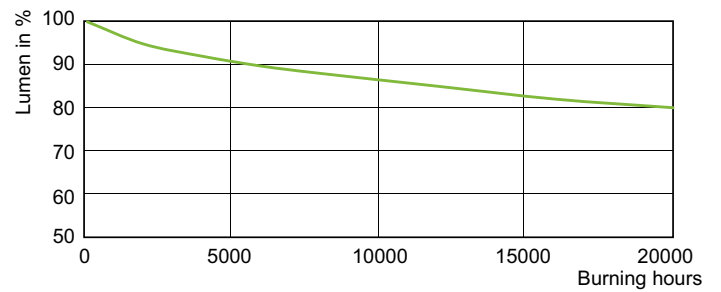


LDPO_CDO-ET_0002-Spectral power distribution Colour

Lifetime



LDLE_CDO-ET_0002-Life expectancy diagram



LDLM_CDO-ET_0002-Lumen maintenance diagram

