



Luma gen2

BGP705 LED100-4S/830 II DW50 GF SRT SRB

LUMA GEN2 LARGE - LED module 10000 lm - LED - Power supply unit with DALI and SystemReady interface - Distribution wide 50 - Glass - 150° - 43° x 67° - Internal (no external connection) - Post-top for diameter 60-76 mm

Luma gen2 is the next generation of the Luma LED luminaire family, fully optimized to become your long-term lighting and innovation partner. While keeping the distinctive design characteristics of the first generation, Luma gen2 gives you the benefits of the latest technologies thanks to its future-proof System Ready architecture, use of optimized Ledgine LED and optical platform ensuring best in class lighting performance in a broad range of applications. It also offers improved serviceability. Installation has also become easier and faster, and thanks to the Service tag, you have access to all relevant documentations onsite. Also, the cable feed-through has been redesigned and access to the gear components is easy thanks to top down tool-less access. Luma gen2 also offers all connectivity and dimming options available today and thanks to being System Ready, it can also be paired with lighting management systems such as Interact City or existing and upcoming sensor innovations. The Luma gen2 has been developed to optimize and simplify spare part repair and maintenance work using a new plug & play GearFlex module containing all electrical components in an easy to handle and accessible box inside the housing. As a company conscious about the impact of light on the environment and biodiversity, we also equipped the Luma gen2 with dedicated light recipes that help with maintaining the optimal ecosystems for bats or preserve a dark night sky.

Product data

General Information		Light source color	830 warm white
Lamp family code	LED100 [LED module 10000 lm]	Light source replaceable	Yes

Luma gen2

Number of gear units	1 unit
Driver/power unit/transformer	Power supply unit with DALI and SystemReady interface
Driver included	Yes
Optical cover/lens type	G [Glass]
Luminaire light beam spread	150° - 43° x 67°
Control interface	Internal (no external connection)
Connection	CU5 [Connection unit 5-pole]
Cable	-
Protection class IEC	Safety class II (II)
Flammability mark	NO [-]
CE mark	CE mark
ENEC mark	ENEC plus mark
Warranty period	5 years
Optic type outdoor	Distribution wide 50
Remarks	* At extreme ambient temperatures the luminaire might automatically dim down to protect components
Constant light output	No
Number of products on MCB of 16 A type B	23
EU RoHS compliant	Yes
Light source engine type	LED
Service tag	Yes
Product family code	BGP705 [LUMA GEN2 LARGE]

Light Technical

Upward light output ratio	0
Standard tilt angle posttop	0°
Standard tilt angle side entry	-

Operating and Electrical

Input Voltage	220 to 240 V
Input Frequency	50 to 60 Hz
Inrush current	4 A
Inrush time	2.7 ms
Power Factor (Min)	0.98

Controls and Dimming

Dimmable	No
----------	----

Mechanical and Housing

Housing Material	Aluminum die-cast
Reflector material	-
Optic material	Polymethyl methacrylate
Optical cover/lens material	Glass
Fixation material	Aluminum
Mounting device	60/76P [Post-top for diameter 60-76 mm]
Optical cover/lens shape	Flat
Optical cover/lens finish	Clear
Overall length	855 mm
Overall width	245 mm
Overall height	245 mm

Effective projected area	0.378 m ²
Color	Gray
Dimensions (Height x Width x Depth)	245 x 245 x 855 mm (9.6 x 9.6 x 33.7 in)

Approval and Application

Ingress protection code	IP66 [Dust penetration-protected, jet-proof]
Mech. impact protection code	IK09 [10 J]
Surge Protection (Common/Differential)	Luminaire surge protection level until 6 kV differential mode and 8 kV common mode

Initial Performance (IEC Compliant)

Initial luminous flux (system flux)	8700 lm
Luminous flux tolerance	+/-7%
Initial LED luminaire efficacy	118 lm/W
Init. Corr. Color Temperature	3000 K
Init. Color Rendering Index	>80
Initial chromaticity	(0.434, 0.403) SDCM 5
Initial input power	74 W
Power consumption tolerance	+/-11%
Init. Color Rendering Index Tolerance	+/-2

Over Time Performance (IEC Compliant)

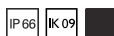
Control gear failure rate at median useful life 35000 h	3.5 %
Control gear failure rate at median useful life 50000 h	5 %
Control gear failure rate at median useful life 75000 h	7.5 %
Control gear failure rate at median useful life 100000 h	10 %
Lumen maintenance at median useful life* 100000 h	L97

Application Conditions

Ambient temperature range	-40 to +50 °C
Performance ambient temperature Tq	25 °C
Maximum dim level	Not applicable

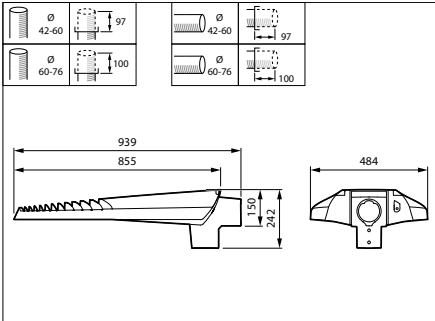
Product Data

Full product code	871951410402000
Order product name	BGP705 LED100-4S/830 II DW50 GF SRT SRB
EAN/UPC - Product	8719514104020
Order code	10402000
Numerator - Quantity Per Pack	1
Numerator - Packs per outer box	1
Material Nr. (12NC)	910925867141
Net Weight (Piece)	17.936 kg



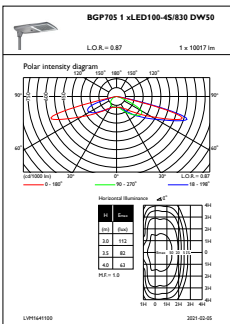
Luma gen2

Dimensional drawing

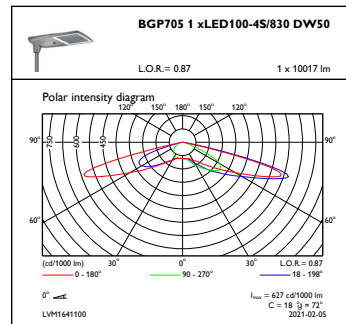


Luma gen2 BGP701-705

Photometric data



OFPL1_BGP7051xLED100-4S830DW50



OFPC1_BGP7051xLED100-4S830DW50

