



# MASTER VALUE LEDs pot LV



## MASTER LED SPOT VLE D 7.5-50W MR16 940 60D

Delivering a warm, halogen-like accent beam, MASTER LEDspot LV is an ideal retrofit solution for spot and general lighting applications in the hospitality industry. It is particularly suited to public areas such as receptions, lobbies, corridors, stairwells and washrooms, where the light is on all the time. The robustly designed MASTER LEDspot offers a choice of beam angles for a clearly defined beam spread. There is no UV or IR in the beam, making it suitable for illuminating heat-sensitive objects (food, organic materials, paintings, etc.). The patented intelligent driver enables broad compatibility with existing electromagnetic and electronic halogen transformers. The dimmable versions drive further efficiencies, while helping to create the desired atmosphere.

### Warnings and Safety

- Operating temperature range is between -20° C and 45° C ambient
- Only to apply in dry or damp locations and most of open fixtures with lamp-holders that offer sufficient space (10 mm free air space)
- Not intended for use with emergency light fixtures or exit lights

### Product data

General Information		EU RoHS compliant	
Cap-Base	GU5.3 [GU5.3]		Yes
Nominal lifetime	25,000 hour(s)	Light Technical	
Switching Cycle	50,000	Color Code	940 [CCT of 4000K]
Lighting Technology	LED	Beam Angle (Nom)	60 degree(s)
Flux measurement reference	Narrow Cone	Luminous Flux	660 lumen
CE mark	Yes	Luminous Intensity (Nom)	770 cd
		Color Designation	Cool White (CW)

# MASTER VALUE LEDspot LV

Correlated Color Temperature (Nom)	4000 K
Luminous Efficacy (rated) (Nom)	88.00 lm/W
Color Consistency	<6
Color rendering index (CRI)	90
LLMF At End Of Nominal Lifetime (Nom)	70 %
Luminous Flux in 90° Cone (Rated)	660 lumen
Photobiological safety according to EN 62471	RG1

## Operating and Electrical

Line Frequency	- Hz
Input Frequency	- Hz
Power Consumption	7.5 W
Lamp Current (Nom)	660 mA
Wattage Equivalent	50 W
Starting Time (Nom)	0.5 s
Warm-up time to 60% light	0.5 s
Power Factor (Fraction)	0.7
Voltage (Nom)	ac electronic 12 V

## Temperature

T-Case Maximum (Nom)	95 °C
----------------------	-------

## Controls and Dimming

Dimmable	Only with specific dimmers
----------	----------------------------

## Mechanical and Housing

Bulb Shape	MR16 [2inch/50mm]
------------	-------------------

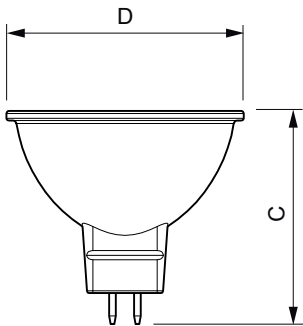
## Approval and Application

Energy Efficiency Class	F
Suitable For Accent Lighting	Yes
Energy Consumption kWh/1000 h	8 kWh
EPREL Registration Number	453185
EyeComfort	Yes

## Product Data

Full product code	871951430742100
Order product name	MAS LED SPOT VLE D 7.5-50W MR16 940 60D
Order code	30742100
Numerator - Quantity Per Pack	1
Numerator - Packs per outer box	10
Material Nr. (12NC)	929002493702
Full product name	MASTER LED SPOT VLE D 7.5-50W MR16 940 60D
EAN/UPC - Case	8719514307438
EAN/UPC - Product/Case	8719514307421

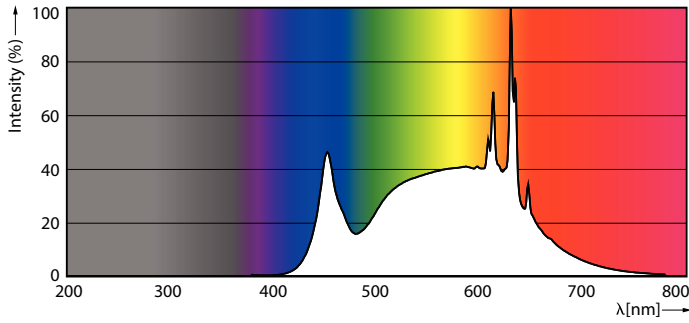
## Dimensional drawing



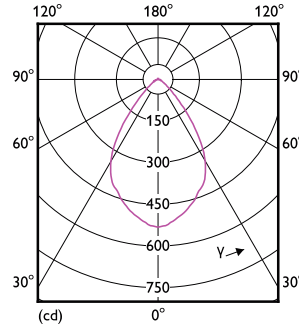
Product	D	C
MAS LED SPOT VLE D 7.5-50W MR16 940 60D	50.5 mm	45.5 mm

# MASTER VALUE LEDspot LV

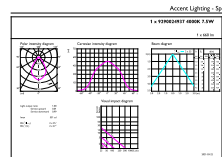
## Photometric data



Spectral Power Distribution Colour - MAS LED SPOT VLE D 7.5-50W MR16 940 60D

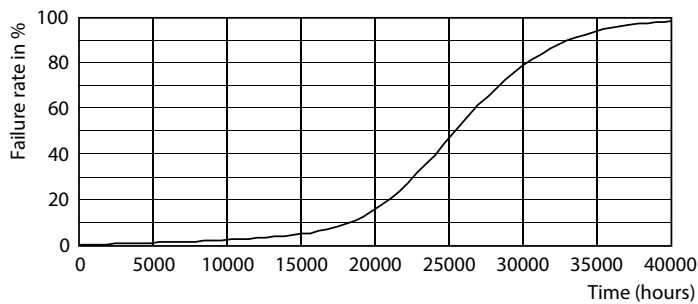


Light Distribution Diagram - MAS LED SPOT VLE D 7.5-50W MR16 940 60D

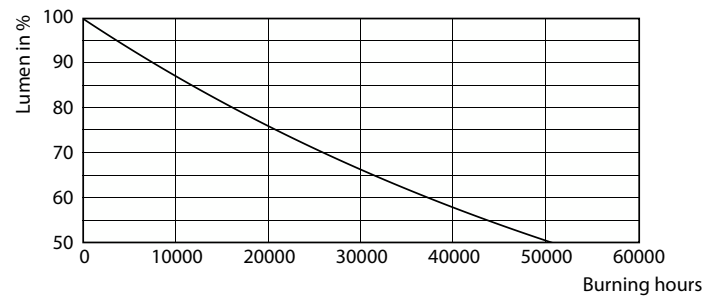


Accent Lighting Spots - MAS LED SPOT VLE D 7.5-50W MR16 940 60D

## Lifetime



Life Expectancy Diagram - MAS LED SPOT VLE D 7.5-50W MR16 940 60D



Lumen Maintenance Diagram - MAS LED SPOT VLE D 7.5-50W MR16 940 60D

## MASTER VALUE LEDspot LV

