



# MASTER LEDspot ExpertColor LV



## MASTER LED ExpertColor 6.7-35W MR16 930 10D

MASTER LEDspot LV ExpertColor creates a warm and comfortable ambience for hospitality venues, homes and restaurants. It creates such an ambience with superior lighting that has a customized spectrum, high CRI, and deep dimming feature. The result? A beautiful lighting experience. What's more, the innovative, trimless lens design will suit almost any interior decor with its clean and neat look. In addition, you can take advantage of the full ExpertColor family, which also includes LEDspot MV and LEDspot Par lamps.

### Product data

General information		Luminous Flux in 90° Cone (Rated)	
Cap-Base	GU5.3 [ GU5.3]		430 lm
EU RoHS compliant	Yes	Operating and electrical	
Nominal Lifetime (Nom)	40000 h	Input Frequency	- Hz
Switching Cycle	50000X	Power (Rated) (Nom)	6.7 W
Flux measurement reference	Narrow Cone	Lamp Current (Nom)	650 mA
Light technical		Wattage Equivalent	35 W
Colour Code	930 [ CCT of 3000K]	Starting Time (Nom)	0.5 s
Beam Angle (Nom)	10 °	Warm Up Time to 60% Light (Nom)	0.5 s
Luminous Flux (Nom)	430 lm	Power Factor (Nom)	0.7
Luminous Intensity (Nom)	4800 cd	Voltage (Nom)	ac electronic 12 V
Colour Designation	White (WH)	Temperature	
Colour Temperature, horizontal (Nom)	3000 K	T-Case Maximum (Nom)	92 °C
Luminous Efficacy (rated) (Nom)	64.00 lm/W	Controls and dimming	
Color Consistency	<3	Dimmable	Only with specific dimmers
Colour Rendering Index horiz (Nom)	97		
LLMF At End Of Nominal Lifetime (Nom)	70 %		

# MASTER LEDspot ExpertColor LV

## Mechanical and housing

Bulb Shape MR16 [ 2inch/50mm]

## Approval and application

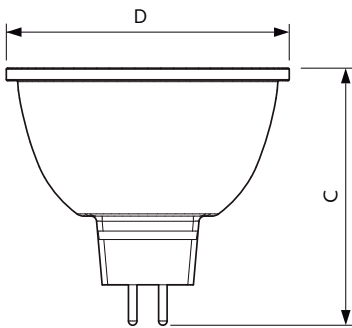
Energy Efficiency Class G  
 Suitable For Accent Lighting Yes  
 Energy Consumption kWh/1000 h 7 kWh  
 EPREL Registration Number 624209

## Product data

Full product code 871951435849200

Order product name	MASTER LED ExpertColor 6.7-35W MR16 930 10D
EAN/UPC - Product	8719514358492
Order code	35849200
Numerator - Quantity Per Pack	1
Numerator - Packs per outer box	10
Material Nr. (12NC)	929003078902
Net Weight (Piece)	0.052 kg

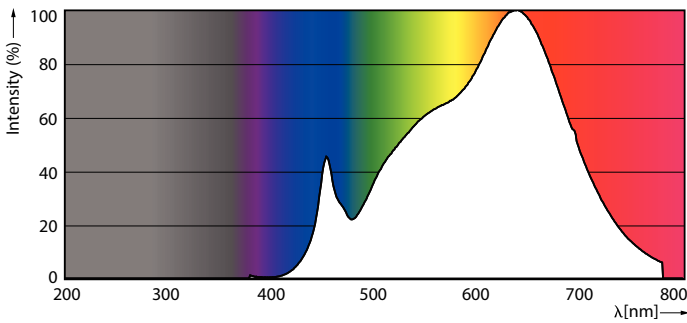
## Dimensional drawing



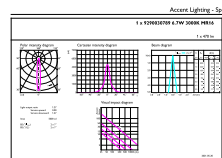
MASTER LED ExpertColor 6.7-35W MR16 930 10D

Product	D	C
MASTER LED ExpertColor 6.7-35W MR16 930 10D	50.5 mm	46 mm

## Photometric data



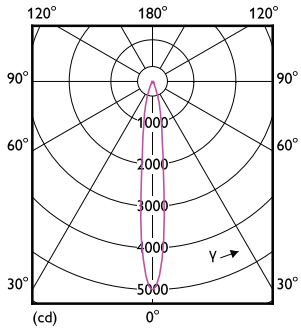
LEDspots MAS IC 6,7W MR16 GU5,3 930 60D-POC



LEDspots MAS IC 6,7W MR16 GU5,3 930 10D-ADL

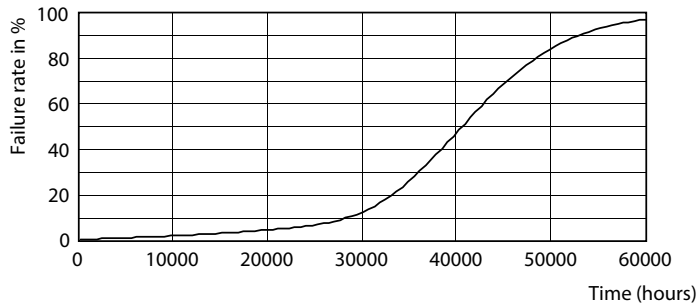
# MASTER LEDspot ExpertColor LV

## Photometric data



LEDspots MAS IC 6,7W MR16 GU5,3 930 10D-LDD

## Lifetime



LEDspots LED 40K



LEDspots LMP 40K

