



# MASTER LEDspot ExpertColor LV



## MASTER LED ExpertColor 6.7-35W MR16 930 24D

MASTER LEDspot LV ExpertColor creates a warm and comfortable ambience for hospitality venues, homes and restaurants. It creates such an ambience with superior lighting that has a customized spectrum, high CRI, and deep dimming feature. The result? A beautiful lighting experience. What's more, the innovative, trimless lens design will suit almost any interior decor with its clean and neat look. In addition, you can take advantage of the full ExpertColor family, which also includes LEDspot MV and LEDspot Par lamps.

### Product data

| General Information                |                    |
|------------------------------------|--------------------|
| Cap-Base                           | GU5.3 [GU5.3]      |
| Nominal lifetime                   | 40,000 hour(s)     |
| Switching Cycle                    | 50,000             |
| Lighting Technology                | LED                |
| Flux measurement reference         | Narrow Cone        |
| CE mark                            | Yes                |
| EU RoHS compliant                  | Yes                |
| Light Technical                    |                    |
| Color Code                         | 930 [CCT of 3000K] |
| Beam Angle (Nom)                   | 24 degree(s)       |
| Luminous Flux                      | 440 lumen          |
| Luminous Intensity (Nom)           | 2,200 cd           |
| Color Designation                  | White (WH)         |
| Correlated Color Temperature (Nom) | 3000 K             |
| Luminous Efficacy (rated) (Nom)    | 65.00 lm/W         |
| Color Consistency                  | <3                 |

| Color rendering index (CRI)                  | 97                 |
|--|--------------------|
| LLMF At End Of Nominal Lifetime (Nom)        | 70 %               |
| Luminous Flux in 90° Cone (Rated)            | 440 lumen          |
| Photobiological safety according to EN 62471 | RG1                |
| Operating and Electrical                     |                    |
| Line Frequency                               | - Hz               |
| Input Frequency                              | - Hz               |
| Power Consumption                            | 6.7 W              |
| Lamp Current (Nom)                           | 650 mA             |
| Wattage Equivalent                           | 35 W               |
| Starting Time (Nom)                          | 0.5 s              |
| Warm-up time to 60% light                    | 0.5 s              |
| Power Factor (Fraction)                      | 0.7                |
| Voltage (Nom)                                | ac electronic 12 V |

# MASTER LEDspot ExpertColor LV

## Temperature

|                      |       |
|----------------------|-------|
| T-Case Maximum (Nom) | 92 °C |
|----------------------|-------|

## Controls and Dimming

|          |                            |
|----------|----------------------------|
| Dimmable | Only with specific dimmers |
|----------|----------------------------|

## Mechanical and Housing

|            |                   |
|------------|-------------------|
| Bulb Shape | MR16 [2inch/50mm] |
|------------|-------------------|

## Approval and Application

|                         |   |
|-------------------------|---|
| Energy Efficiency Class | G |
|-------------------------|---|

|                              |     |
|------------------------------|-----|
| Suitable For Accent Lighting | Yes |
|------------------------------|-----|

|                               |       |
|-------------------------------|-------|
| Energy Consumption kWh/1000 h | 7 kWh |
|-------------------------------|-------|

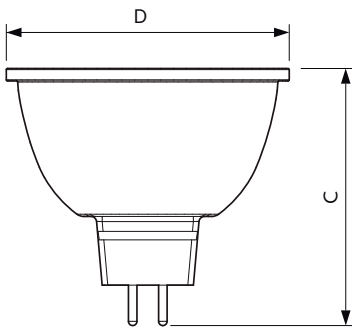
|                           |        |
|---------------------------|--------|
| EPREL Registration Number | 624214 |
|---------------------------|--------|

|            |     |
|------------|-----|
| EyeComfort | Yes |
|------------|-----|

## Product Data

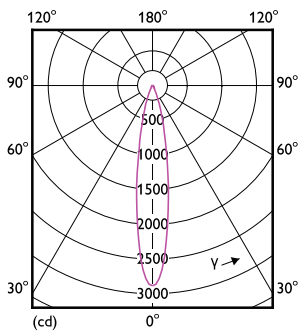
|                                 |   |
|---------------------------------|---|
| Full product code               | 871951435855300                             |
| Order product name              | MAS LED ExpertColor 6.7-35W MR16 930 24D    |
| Order code                      | 35855300                                    |
| Numerator - Quantity Per Pack   | 1   |
| Numerator - Packs per outer box | 10  |
| Material Nr. (12NC)             | 929003079202                                |
| Full product name               | MASTER LED ExpertColor 6.7-35W MR16 930 24D |
| EAN/UPC - Case                  | 8719514358560                               |
| EAN/UPC - Product/Case          | 8719514358553                               |

## Dimensional drawing

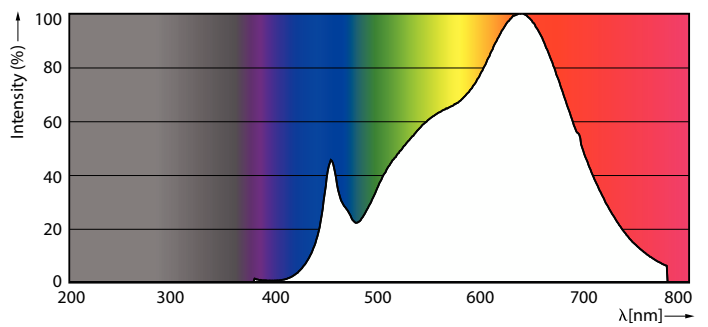


| Product                                  | D       | C     |
|--|---------|-------|
| MAS LED ExpertColor 6.7-35W MR16 930 24D | 50.5 mm | 46 mm |

## Photometric data



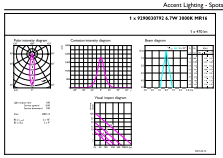
Light Distribution Diagram - MAS LED ExpertColor 6.7-35W MR16 930 24D



Spectral Power Distribution Colour - MAS LED ExpertColor 6.7-35W MR16 930 24D

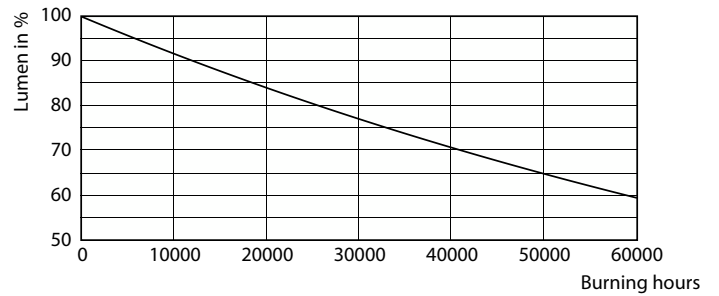
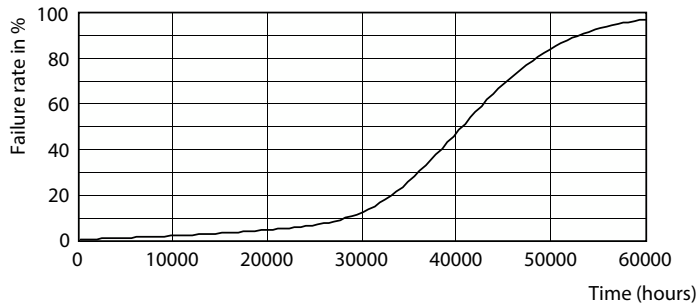
# MASTER LEDspot ExpertColor LV

## Photometric data



Accent Lighting Spots - MAS LED ExpertColor 6.7-35W MR16 930 24D

## Lifetime



Life Expectancy Diagram - MAS LED ExpertColor 6.7-35W MR16 930 24D

Lumen Maintenance Diagram - MAS LED ExpertColor 6.7-35W MR16 930 24D

