



# MASTER LEDspot ExpertColor LV



## MASTER LED ExpertColor 7.5-43W MR16 940 36D

MASTER LEDspot LV ExpertColor creates a warm and comfortable ambience for hospitality venues, homes and restaurants. It creates such an ambience with superior lighting that has a customized spectrum, high CRI, and deep dimming feature. The result? A beautiful lighting experience. What's more, the innovative, trimless lens design will suit almost any interior decor with its clean and neat look. In addition, you can take advantage of the full ExpertColor family, which also includes LEDspot MV and LEDspot Par lamps.

### Product data

| General Information                |                    | Color rendering index (CRI)                  |                    |
|------------------------------------|--------------------|--|--------------------|
| Cap-Base                           | GU5.3 [GU5.3]      |  | 92                 |
| CE mark                            | Yes                | LLMF At End Of Nominal Lifetime (Nom)        | 70 %               |
| Nominal lifetime                   | 40,000 hour(s)     | Luminous Flux in 90° Cone (Rated)            | 520 lumen          |
| Switching Cycle                    | 50,000             | Photobiological safety according to EN 62471 | RG1                |
| Lighting Technology                | LED                | Operating and Electrical                     |                    |
| EU RoHS compliant                  | Yes                | Line Frequency                               | - Hz               |
| Flux measurement reference         | Narrow Cone        | Input Frequency                              | - Hz               |
|                                    |                    | Power Consumption                            | 7.5 W              |
|                                    |                    | Lamp Current (Nom)                           | 720 mA             |
|                                    |                    | Wattage Equivalent                           | 43 W               |
|                                    |                    | Starting Time (Nom)                          | 0.5 s              |
|                                    |                    | Warm-up time to 60% light                    | 0.5 s              |
|                                    |                    | Power Factor (Fraction)                      | 0.7                |
|                                    |                    | Voltage (Nom)                                | ac electronic 12 V |
| Light Technical                    |                    |  |                    |
| Color Code                         | 940 [CCT of 4000K] |  |                    |
| Beam Angle (Nom)                   | 36 degree(s)       |  |                    |
| Luminous Flux                      | 520 lumen          |  |                    |
| Luminous Intensity (Nom)           | 1,650 cd           |  |                    |
| Color Designation                  | Cool White (CW)    |  |                    |
| Correlated Color Temperature (Nom) | 4000 K             |  |                    |
| Luminous Efficacy (rated) (Nom)    | 69.00 lm/W         |  |                    |
| Color Consistency                  | <3                 |  |                    |

# MASTER LEDspot ExpertColor LV

## Temperature

|                      |       |
|----------------------|-------|
| T-Case Maximum (Nom) | 93 °C |
|----------------------|-------|

## Controls and Dimming

|          |                            |
|----------|----------------------------|
| Dimmable | Only with specific dimmers |
|----------|----------------------------|

## Mechanical and Housing

|            |                   |
|------------|-------------------|
| Bulb Shape | MR16 [2inch/50mm] |
|------------|-------------------|

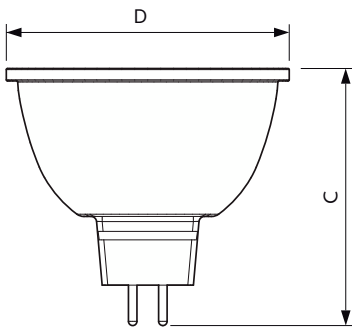
## Approval and Application

|                               |        |
|-------------------------------|--------|
| Energy Efficiency Class       | G      |
| Suitable For Accent Lighting  | Yes    |
| Energy Consumption kWh/1000 h | 8 kWh  |
| EPREL Registration Number     | 624219 |
| EyeComfort                    | Yes    |

## Product Data

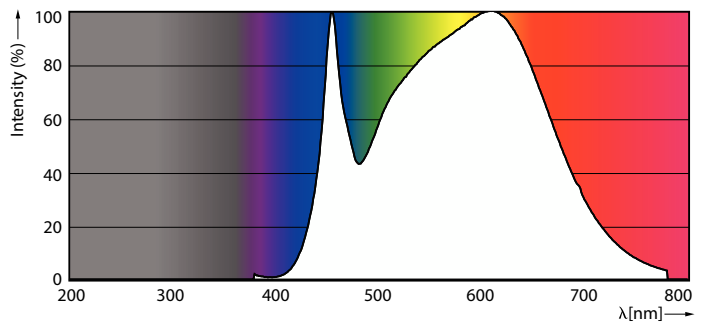
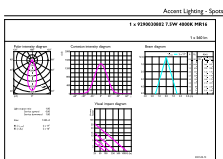
|                                 |   |
|---------------------------------|---|
| Full product code               | 871951435875100                             |
| Order product name              | MAS LED ExpertColor 7.5-43W MR16 940 36D    |
| Order code                      | 35875100                                    |
| Numerator - Quantity Per Pack   | 1   |
| Numerator - Packs per outer box | 10  |
| Material Nr. (12NC)             | 929003080202                                |
| Full product name               | MASTER LED ExpertColor 7.5-43W MR16 940 36D |
| EAN/UPC - Case                  | 8719514358768                               |

## Dimensional drawing



| Product                                  | D       | C     |
|--|---------|-------|
| MAS LED ExpertColor 7.5-43W MR16 940 36D | 50.5 mm | 46 mm |

## Photometric data

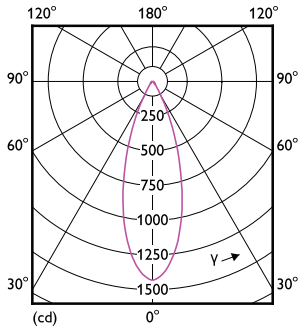


Accent Lighting Spots - MAS LED ExpertColor 7.5-43W MR16 940 36D

Spectral Power Distribution Colour - MAS LED ExpertColor 7.5-43W MR16 940 36D

# MASTER LEDspot ExpertColor LV

## Photometric data



Light Distribution Diagram - MAS LED ExpertColor 7.5-43W MR16 940 36D

## Lifetime



Life Expectancy Diagram - MAS LED ExpertColor 7.5-43W MR16 940 36D



Lumen Maintenance Diagram - MAS LED ExpertColor 7.5-43W MR16 940 36D

