



MASTER LEDspot ExpertColor AR111

MAS LEDExpertColor 20-100W 930 AR111 45D

MASTER LEDspot LV ExpertColor creates a warm and comfortable ambience for hospitality venues, homes and restaurants. It creates such an ambience with superior lighting that has a customized spectrum, high CRI, and deep dimming feature. The result? A beautiful lighting experience. What's more, the innovative, trimless lens design will suit almost any interior decor with its clean and neat look. In addition, you can take advantage of the full ExpertColor family, which also includes LEDspot MV and LEDspot Par lamps.

Product data

General Information		LLMF At End Of Nominal Lifetime (Nom) 70 %	
Cap-Base	G53 [G53]		
Nominal lifetime	40,000 hour(s)		
Switching Cycle	50,000		
Lighting Technology	LED		
EU RoHS compliant	Yes		
Light Technical		Operating and Electrical	
Color Code	930 [CCT of 3000K]	Line Frequency	50 to 60 Hz
Beam Angle (Nom)	45 degree(s)	Input Frequency	50 to 60 Hz
Luminous Flux	1,600 lumen	Power Consumption	20 W
Luminous Intensity (Nom)	2,200 cd	Lamp Current (Nom)	2,000 mA
Color Designation	White (WH)	Wattage Equivalent	100 W
Correlated Color Temperature (Nom)	3000 K	Starting Time (Nom)	0.5 s
Luminous Efficacy (rated) (Nom)	80.00 lm/W	Warm-up time to 60% light	0.5 s
Color Consistency	<4	Power Factor (Fraction)	0.7
Color rendering index (CRI)	97	Voltage (Nom)	12 V
		Temperature	
		Ambient temperature range	-20 °C to 45 °C
		T-Case Maximum (Nom)	77 °C

MASTER LEDspot ExpertColor AR111

Controls and Dimming

Dimmable Only with specific dimmers

Mechanical and Housing

Bulb Finish Clear

Bulb Shape AR111

Approval and Application

Suitable For Accent Lighting Yes

Product Data

Full product code 871951444881000

Order product name MAS LEDExpertColor 20-100W 930 AR111 45D

Order code 44881000

Numerator - Quantity Per Pack 1

Numerator - Packs per outer box 6

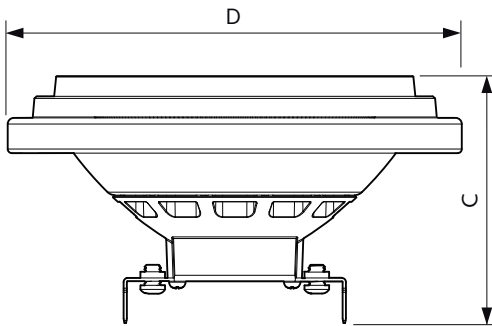
Material Nr. (12NC) 929003479008

Full product name MAS LEDExpertColor 20-100W 930 AR111 45D

EAN/UPC - Case 8719514448827

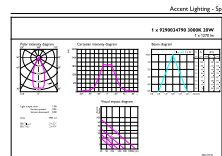
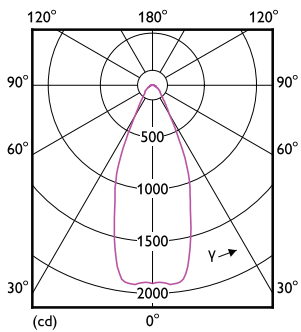
EAN/UPC - Product/Case 8719514448810

Dimensional drawing



Product	D	C
MAS LEDExpertColor 20-100W 930 AR111 45D	111 mm	62 mm

Photometric data

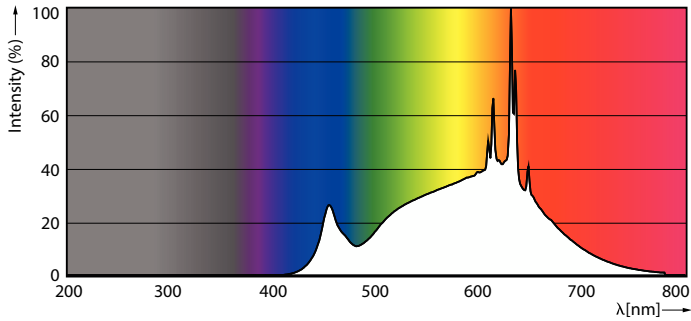


Light Distribution Diagram - MAS LEDExpertColor 20-100W 930 AR111 45D

Accent Lighting Spots - MAS LEDExpertColor 20-100W 930 AR111 45D

MASTER LEDspot ExpertColor AR111

Photometric data



Spectral Power Distribution Colour - MAS LEExpertColor 20-100W 930 AR111 45D

Lifetime



Life Expectancy Diagram - MAS LEExpertColor 20-100W 930 AR111 45D



Lumen Maintenance Diagram - MAS LEExpertColor 20-100W 930 AR111 45D

