



# SNS401CMP

ZigBee Receiver with Multifunction Sensor

Wireless control in a small form factor.

The Philips Dynalite SNS401CMP receives DyNet commands over ZigBee from the PDZG-E wireless gateway, and sends DALI messages over an SR bus. This compact device enables control of a single DALI Broadcast channel via a Philips Xitanium SR Bridge, or a 1-10V channel via a Philips Advance SR Bridge.

It also features an occupancy and daylight sensor to control the fixtures connected to the SR bridge.

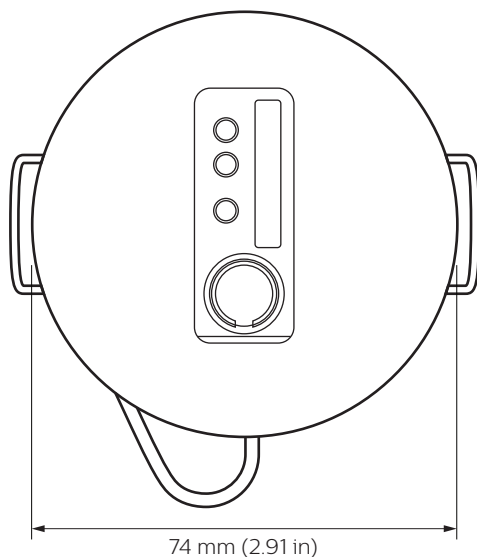
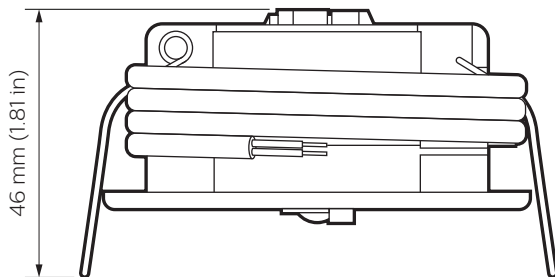
# SNS401CMP

Wireless control in a small form factor.

- **ZigBee PRO wireless communication** – Seamlessly integrates wireless lighting control into a Philips Dynalite system without expensive control wiring.
- **Wireless mesh network** – Ensures stable and robust lighting control in busy environments.
- **Control a single DALI broadcast or 1-10V channel** – Should be used in combination with a Philips Xitanium SR Bridge or a Philips Advance SR bridge.
- **Small form-factor with attached mounting clips**– Enables easy installation in recessed ceilings.
- **Infrared receiver** – Allows easy commissioning into wireless network from the floor using an IR remote, with no need for physical access to the device.
- **Motion detection feature** – Detects the presence or absence of motion and adjusts lights accordingly.
- **Segmented click-up bezel** – Surrounds the motion sensor element and enables a portion of the sensing field to be masked. This prevents nuisance detection from adjacent doorways or corridors.
- **Ambient light level regulation** – In applications where it is critical to maintain precise light levels, the PE sensor reads ambient levels and adjusts artificial light accordingly.
- **Luminaire accessory variant available** – An SNS401 without ceiling mount bracket is available for the design of dedicated luminaire accessories (Wireless Group Controllers). Please refer to the SNS401 Design-in Guide.

---

## Dimensions



# Specifications

Due to continuous improvements and innovations, specifications may change without notice.



## SNS401CMP ZigBee Receiver with Multifunction Sensor

### Electrical

Supply Type	DC
Supply Voltage	12-24 VDC (16 VDC typical)
Supply Current	50 mA (max)
Nominal Power Consumption	200 mW
IEC Overvoltage Category	III

### Motion Detection (PIR)

Detection Range/Area	See next page
----------------------	---------------

### Control

Wireless Communication	ZigBee PRO standard @ 2.4GHz RF (IEEE 802.15.4, WPAN)
Maximum Mesh Network Gap	10 m (32.8 ft)
Maximum SNS401CMP controllers per PDZG-E	25
Control Channel Outputs	1 x signal dimming (SR Bus) (DALI Broadcast or 1-10 V via SR bridge)

### Physical

Dimensions (H x Dia.)	46 x 74 mm (1.81 x 2.91 in)
Device Weight	45 g (0.1 lb)
Products Per Box	25
Packed Box Weight (gross)	1.4 kg (3.09 lb)
Box Dimensions (H x W x D)	243 x 399 x 109 mm (9.57 x 15.71 x 4.29 in)
Construction	ABS plastic
Color	White (RAL9016)
Control Terminals	2-terminal flylead

### Environment

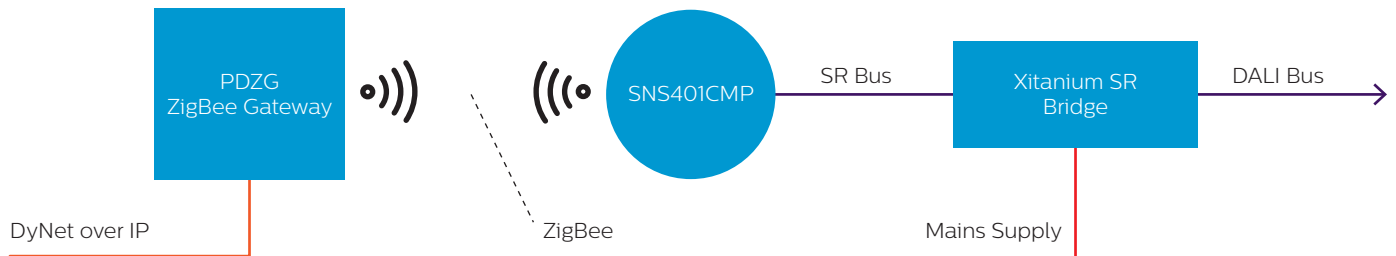
Operating Temperature	0° to 55°C ambient (32° to 131°F)
Storage/Transport Temperature	-25° to 85°C ambient (-13° to 185°F)
Relative Humidity	0 to 95% non-condensing
IEC Pollution Degree	II

### Compliance

Certification	CE, UL/cUL*, ENEC, RTTE, EMC, RoHS
---------------	------------------------------------

\*SNS401/w (NA version, no ceiling mount bracket) only

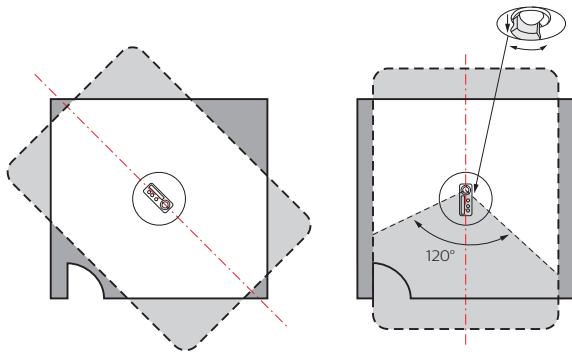
## Network Overview



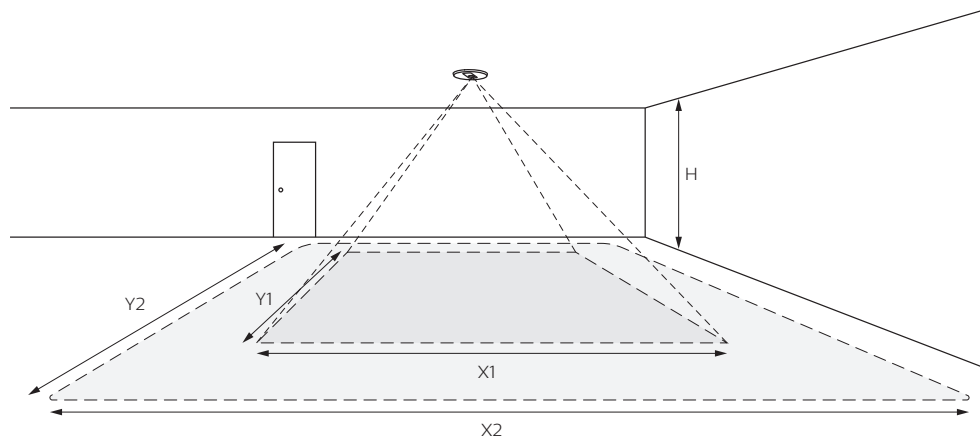
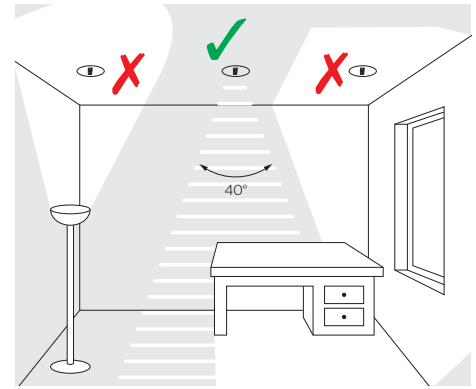
**Warning** – This device connects to an SR bus only. Do not connect directly to a DALI bus.



## Detection Area



## Light Level Detection



Sensor height	Minor movement detection area		Major movement detection area	
H	Y1	X1	Y2	X2
2.4 m (7.87 ft)	2.9 m (9.51 ft)	2.7 m (8.86 ft)	4.5 m (14.76 ft)	2.9 m (9.51 ft)
3 m (9.84 ft)	3.6 m (11.81 ft)	3.4 m (11.15 ft)	5.4 m (17.72 ft)	3.6 m (11.81 ft)

## Ordering Code

### Product

SNS401CMP/w (EU version) **12NC** 929002108706

SNS401/w (EU version, no ceiling mount bracket) 929001657006

SNS401/w (NA version, no ceiling mount bracket) 929001657013

### Accessories

IRT9015/00 (RC5 IR remote control) **12NC** 913700396703

Philips Xitanium SR Bridge independent (DALI) 929001546506

### 10NC

Philips Advance Xitanium SR Bridge (0-10V), SRB-LD (side entry) 9290007803

Philips Advance Xitanium SR Bridge (0-10V), SRB-BS (bottom entry) 9290007802



© 2019 Signify Holding. All rights reserved. Specifications are subject to change without notice. No representation or warranty as to the accuracy or completeness of the information included herein is given and any liability for any action in reliance thereon is disclaimed. Philips and the Philips Shield Emblem are registered trademarks of Koninklijke Philips N.V. All other trademarks are owned by Signify Holding or their respective owners.