

# Starsense Wireless

## LLC7300/00 Starsense Wireless 1-10V/DALI

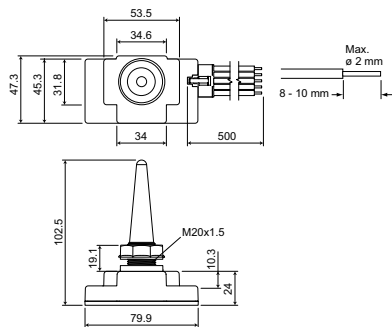
Starsense Wireless is a networked controls system based on two-way wireless communication using the latest in mesh network technology. The system enables individual light points to be controlled remotely and to be managed via online platforms. Lighting operators can control remotely the outdoor lighting infrastructure setting dimming levels to achieve considerable energy savings and can get real time feedback from the luminaires reducing operating and maintenance costs via accurate scheduling of on-site maintenance service tasks, while improving both the quality and reliability of outdoor lighting.

### Product data

Product Data		Numerator - Packs per outer box	
Full product code	871829118542000		24
Order product name	LLC7300/00 Starsense Wireless 1-10V/DALI	Material Nr. (12NC)	913700347903
EAN/UPC - Product	8718291185420	Net Weight (Piece)	0.120 kg
Order code	18542000		
Numerator - Quantity Per Pack	1		

# Starsense Wireless

## Dimensional drawing



Starsense Wireless

