



HF-Regulator II for TL5 lamps

HF-R 414 TL5 EII 220-240V 50/60Hz

Flat, lightweight high-frequency electronic regulating ballast, using 1-10V protocol for TL5 fluorescent lamps

Product data

General Information		Power Losses (Nom)	
Application Code	EII		9.9 W
Type Version	mk1	Inrush Current Peak (Max)	27 A
Lamp Type	TL5	Wiring	
Number of Lamps	4 piece/unit	Connector Type Input Terminals	WAGO 251 universal connector [Suitable for both automatic wiring (ALF and ADS) and manual wiring]
Number of Products on MCB (16A Type B) (Nom)	28	Connector Type Output Terminals	WAGO 251 universal connector [Suitable for both automatic wiring (ALF and ADS) and manual wiring]
Automatic Restart	Yes	Connector Type Control Input Terminals	WAGO 251 universal connector [Suitable for both automatic wiring (ALF and ADS) and manual wiring]
Operating and Electrical		Wire Striplength	8.0-9.0 mm
Input Voltage	220 to 240 V	Dual Fixture Master/Slave	- [not specified]
Input Frequency	50 to 60 Hz	Control Input Terminal Cross Section	0.50-1.00 mm ²
Operating Frequency (Max)	85 kHz	Input Terminal Cross Section	0.50-1.00 mm ²
Operating Frequency (Min)	46 kHz	Output Terminal Cross Section	0.50-1.00 mm ²
Ignition Method	Programmed Start	Auto Insert (ALF/ADS) Wire Cross Section	0.5 mm ²
Crestfactor (Max)	1.7	System characteristics	
Power Factor 100% Load (Nom)	0.98	Rated Ballast-Lamp Power	14 W
Ignition Time (Max)	0.2 s		
Mains Voltage Performance (AC)	-8%~+6%		
Mains Voltage Safety (AC)	-10%~+10%		
Earth Leakage Current (Max)	0.5 mA		
Inrush Current Width	0.25 ms		

HF-Regulator II for TL5 lamps

Temperature	
T-Ambient (Max)	50 °C
T-Ambient (Min)	-20 °C
T-Storage (Max)	80 °C
T-Storage (Min)	-25 °C
Stable Lamp Operation Temperature	Not Specified
T-Ignition (Max)	50 °C
T-Ignition (Min)	0 °C

Controls and Dimming	
Control Interface	1-10V
Regulating Level Power	1%-100%
Control Input Protection	Yes (Basic insulation)

Mechanical and Housing	
Housing	L 359x39x22

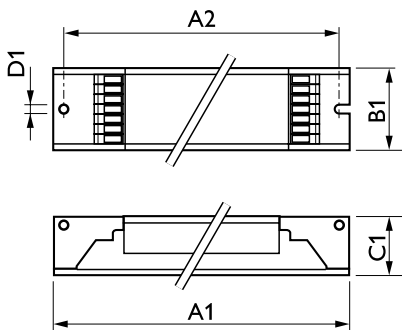
Emergency Operation	
Battery Voltage Lamp Ignition	196 V
Battery Voltage Lamp Operation	154-276

Approval and Application	
Energy Efficiency Index	A1 BAT
EMI 9 kHz ... 30 MHz	EN55015
EMI 30 MHz ... 1000 MHz	EN55022 level B
Safety Standard	IEC 61347-2-3

Performance Standard	IEC 60929
Quality Standard	ISO 9000:2000
Environmental Standard	ISO 14001
Harmonic Current Emission Standard	IEC 61000-3-2
EMC Immunity Standard	IEC 61547
Vibration Standard	IEC68-2-6 F c
Bumps Standard	IEC 68-2-29 Eb
Humidity Standard	EN 61347-2-3 clause 11
Approval Marks	CE marking ENEC certificate VDE-EMV certificate
Temperature Marking	Yes
Emergency Standard	IEC 60598-2-22
Hum And Noise Level	Inaudible

Product Data	
Full product code	871150091364730
Order product name	HF-R 414 TL5 EII 220-240V 50/60Hz
EAN/UPC - Product	8711500913647
Order code	91364730
Numerator - Quantity Per Pack	1
Numerator - Packs per outer box	10
Material Nr. (12NC)	913700614466
Net Weight (Piece)	0.340 kg

Dimensional drawing



HF-R 414 TL5 EII 220-240V 50-60Hz

Product	D1	C1	A1	A2	B1
HF-R 414 TL5 EII 220-240V 50/60Hz	4.2 mm	22 mm	359 mm	350 mm	39 mm

HF-Regulator II for TL5 lamps

