



# MASTER LEDspot ExpertColor LV

## MASTER LED ExpertColor 6.5-35W MR16 930 36D

MASTER LEDspot LV ExpertColor creates a warm and comfortable ambience for hospitality venues, homes and restaurants. It creates such an ambience with superior lighting that has a customized spectrum, high CRI, and deep dimming feature. The result? A beautiful lighting experience. What's more, the innovative, trimless lens design will suit almost any interior decor with its clean and neat look. In addition, you can take advantage of the full ExpertColor family, which also includes LEDspot MV and LEDspot Par lamps.

### Product data

General Information		Luminous Flux in 90° Cone (Rated)	
Cap-Base	GU5.3 [ GU5.3]		440 lm
EU RoHS compliant	Yes	Operating and Electrical	
Nominal Lifetime (Nom)	40000 h	Input Frequency	- Hz
Switching Cycle	50000X	Power (Rated) (Nom)	6.5 W
Technical Type	6.5-35W	Lamp Current (Nom)	800 mA
Light Technical		Wattage Equivalent	35 W
Colour Code	930 [ CCT of 3000K]	Starting Time (Nom)	0.5 s
Beam Angle (Nom)	36 °	Warm Up Time to 60% Light (Nom)	0.5 s
Luminous Flux (Nom)	440 lm	Power Factor (Nom)	0.7
Luminous Intensity (Nom)	1400 cd	Voltage (Nom)	ac electronic 12 V
Colour Designation	White (WH)	Temperature	
Colour Temperature, horizontal (Nom)	3000 K	T-Case Maximum (Nom)	90 °C
Luminous Efficacy (rated) (Nom)	67.69 lm/W	Controls and Dimming	
Color Consistency	<3	Dimmable	Yes
Colour Rendering Index horiz (Nom)	97		
LLMF At End Of Nominal Lifetime (Nom)	70 %		

# MASTER LEDspot ExpertColor LV

## Approval and Application

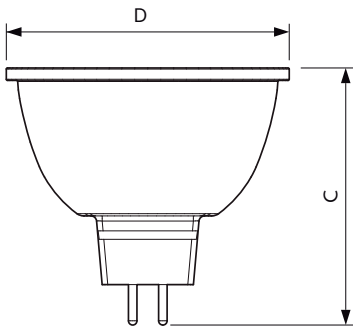
Energy Efficiency Label	A+
Suitable For Accent Lighting	Yes
Energy Consumption kWh/1000 h	8 kWh

## Product Data

Full product code	871869673885600
Order product name	MASTER LED ExpertColor 6.5-35W MR16 930 36D

EAN/UPC - Product	8718696738856
Order code	73885600
Numerator - Quantity Per Pack	1
Numerator - Packs per outer box	10
Material Nr. (12NC)	929001342402
Net Weight (Piece)	0.030 kg

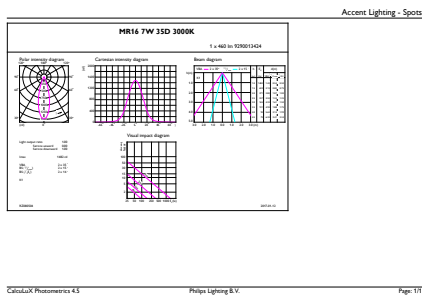
## Dimensional drawing



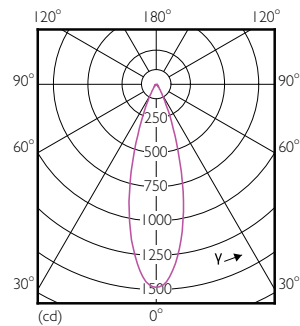
MR16 12V 6.5-42W 450lm 35D 3000K GU5.3 D

Product	D	C
MASTER LED ExpertColor 6.5-35W MR16 930 36D	51 mm	46 mm

## Photometric data



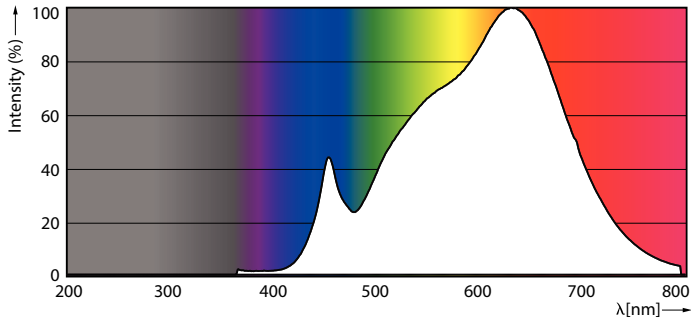
MR16 12V 6.5-42W 450lm 35D 3000K GU5.3 D



LEDSpots MR16 7W 930 460lm 35D

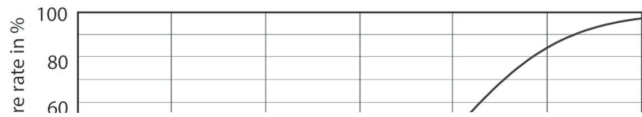
# MASTER LEDspot ExpertColor LV

## Photometric data

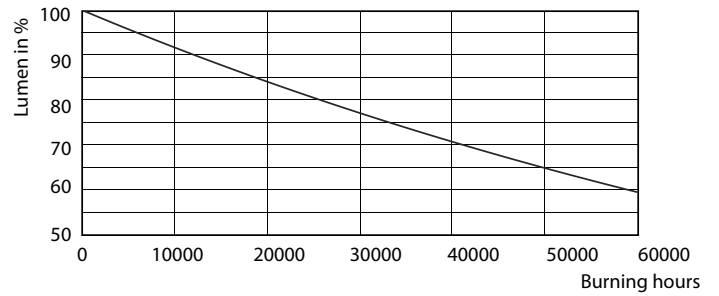


LEDspots MR16 7W 3000K

## Lifetime



LEDspots MR16 7W



LEDspots MR16 7W

